

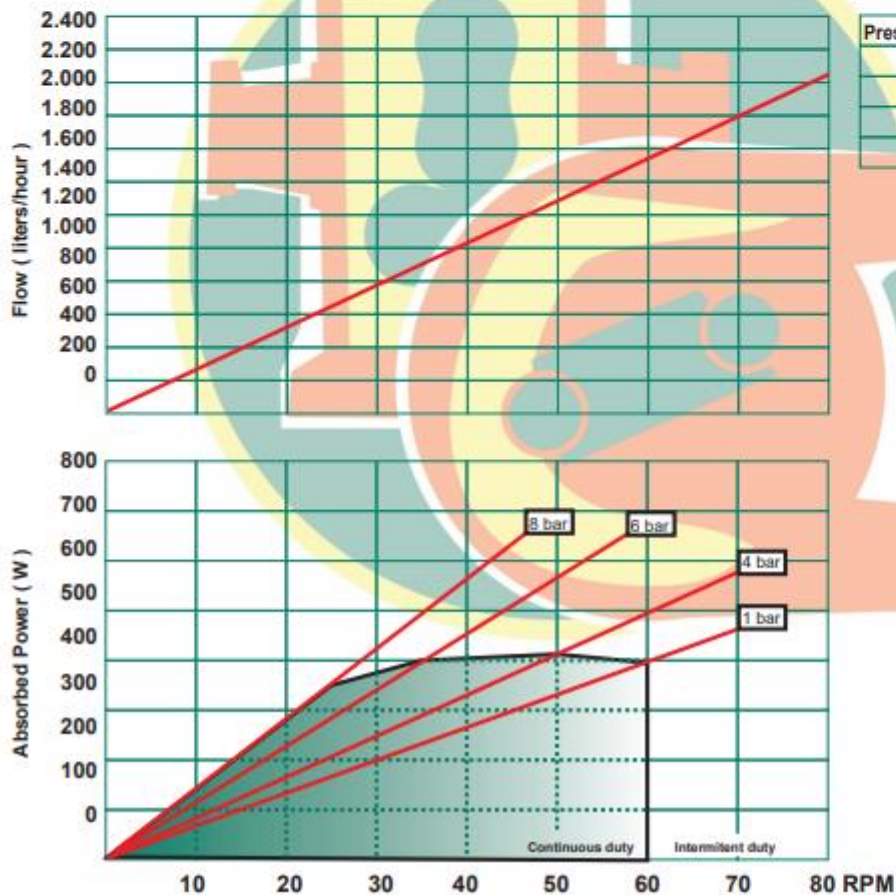


Industrial Peristaltic Pumps

FMP-30 Data sheet



Capacity: 0,43 l/rev.
Connections: 1 1/4"
Max. Pressure: 8 bar
Rotor system: Rollers
Available hoses: NR
NBR
EPDM
HYPALON
NR-A
NBR-A
Available tubes: Norprene

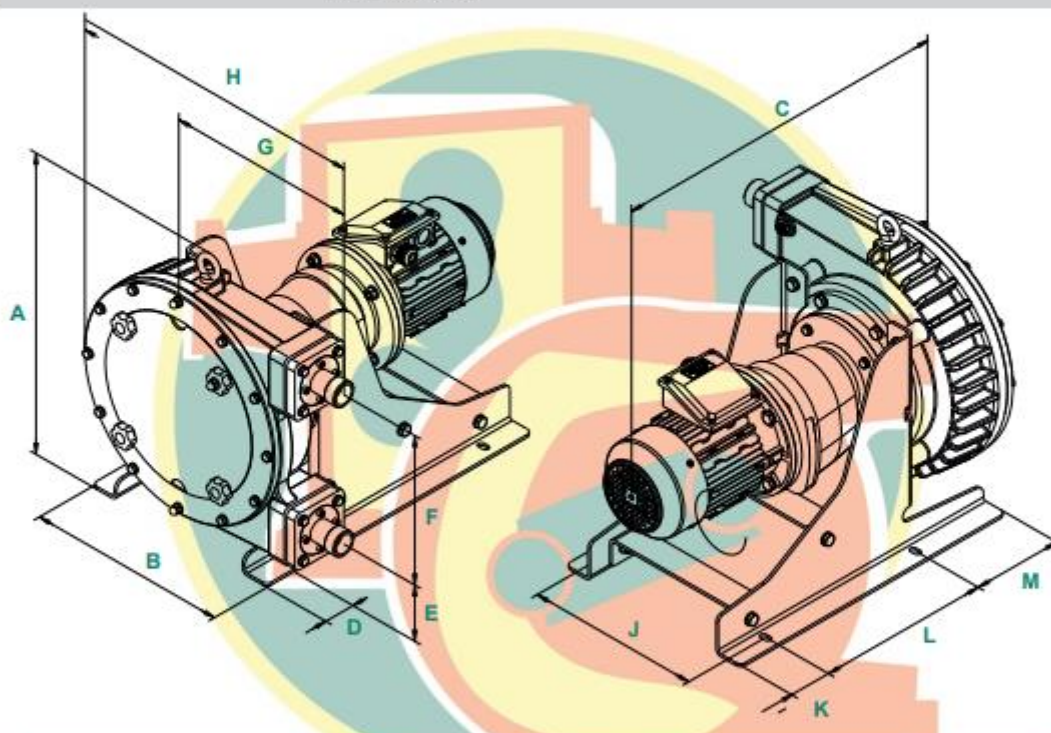


Pressure (bar)	Torque (Nm)
1	65
4	80
6	110
8	135



1.9.3.1 FMP-30 data sheet - 09/2020

Description	Material	Surface treatment
Pump housing	Cast Iron EN-GJL-250	Polyester powder coated Halar coated (Optional)
Front cover	Steel F-111 / Polycarbonate	Polyester powder coated Halar coated (Optional)
Rotor	Nodular Cast Iron EN-GJL-400	Cataphoresis
Rollers	Steel F-114	Blueing
Base plate	Steel F-111 Stainless Steel AISI-304 (Optional)	Polyester powder coated --
Connections	Stainless Steel AISI-316 Polypropylene (Optional) PVDF (Optional)	--



A	B	C	D	E	F	G	H	J	K	L	M	Connections
470	356	*	52	103	264	283	478	308	75	305	160	1/4" BSP

* To confirm according type and power driver.



Bombas Boyser, S.L.
 c/ Miquel Martí i Pol, s/n - Pol. Ind. Pla de la Costa
 08182 Sant Feliu de Codines - Barcelona - Spain
 Tel. +34 93 844 77 78 info@boyser.com

www.boyser.com





Industrial Peristaltic Pumps

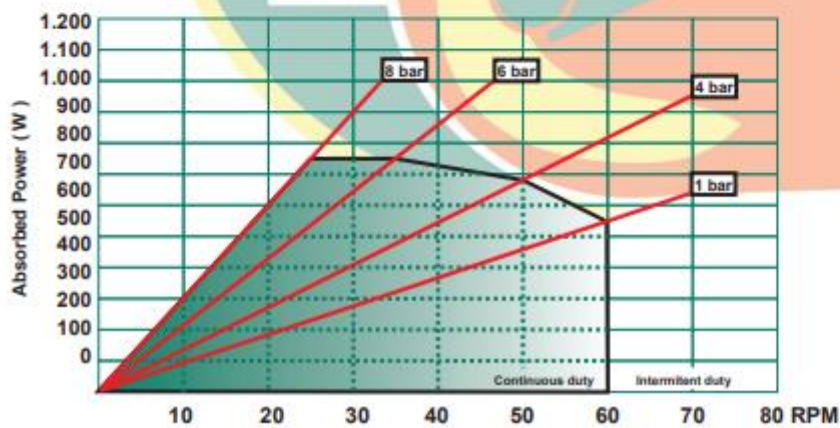
FMP-40 Data sheet



Capacity: 0,86 l/rev.
Connections: 1 1/2"
Max. Pressure: 8 bar
Rotor system: Rollers
Available hoses: NR
NBR
EPDM
HYPALON
NR-A
NBR-A
Available tubes: Norprene

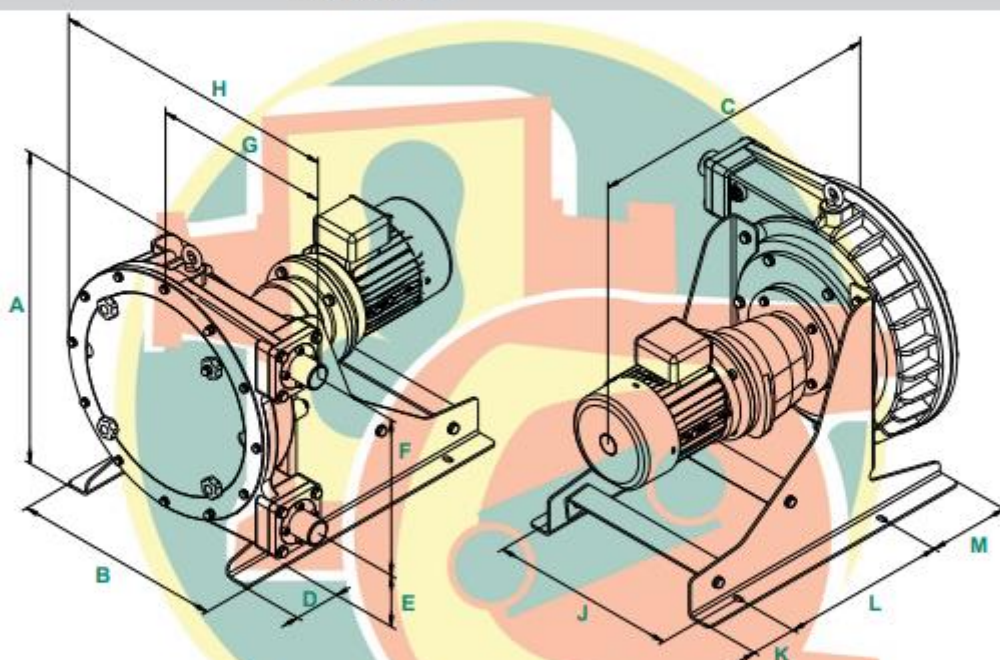


Pressure (bar)	Torque (Nm)
1	90
4	130
6	200
8	285



1.9.3.2 FMP-40 data sheet - 01/2020

Description	Material	Surface treatment
Pump housing	Cast Iron EN-GJL-250	Polyester powder coated Halar coated (Optional)
Front cover	Steel F-111 / Polycarbonate	Polyester powder coated Halar coated (Optional)
Rotor	Nodular Cast Iron EN-GJL-400	Cataforesis
Rollers	Steel F-114	Blueing
Base plate	Steel F-111 Stainless Steel AISI-304 (Optional)	Polyester powder coated -
Connections	Stainless Steel AISI-316 Polypropylene (Optional) PVDF (Optional)	-



A	B	C	D	E	F	G	H	J	K	L	M	Connections
580	440	*	78	126	330	316	555	400	95	345	170	1 1/2" BSP

* To confirm according type and power driver.



Bombas Boyser, S.L.
 c/ Miquel Martí i Pol, s/n - Pol. Ind. Pla de la Costa
 08182 Sant Feliu de Codines - Barcelona - Spain
 Tel. +34 93 844 77 78 Info@boyser.com

www.boyser.com



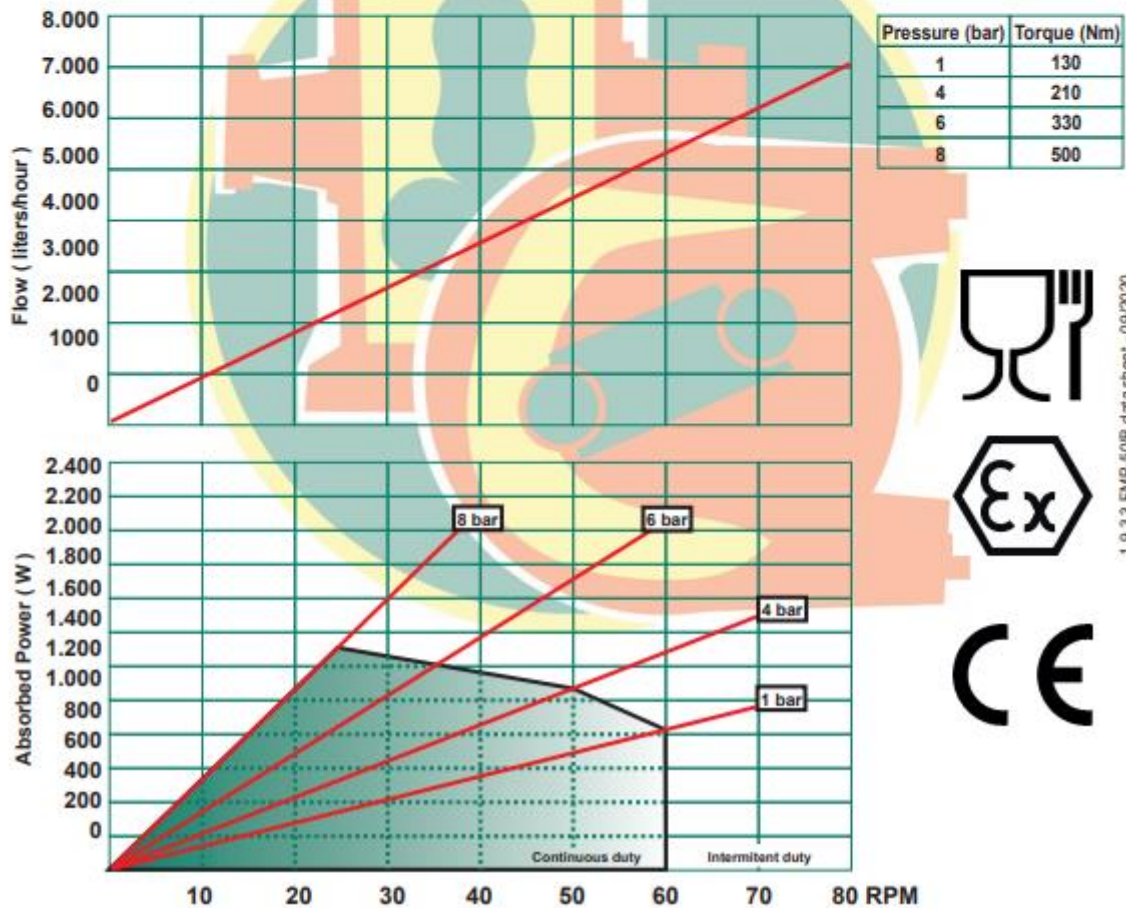


Industrial Peristaltic Pumps

FMP-50/B Data sheet

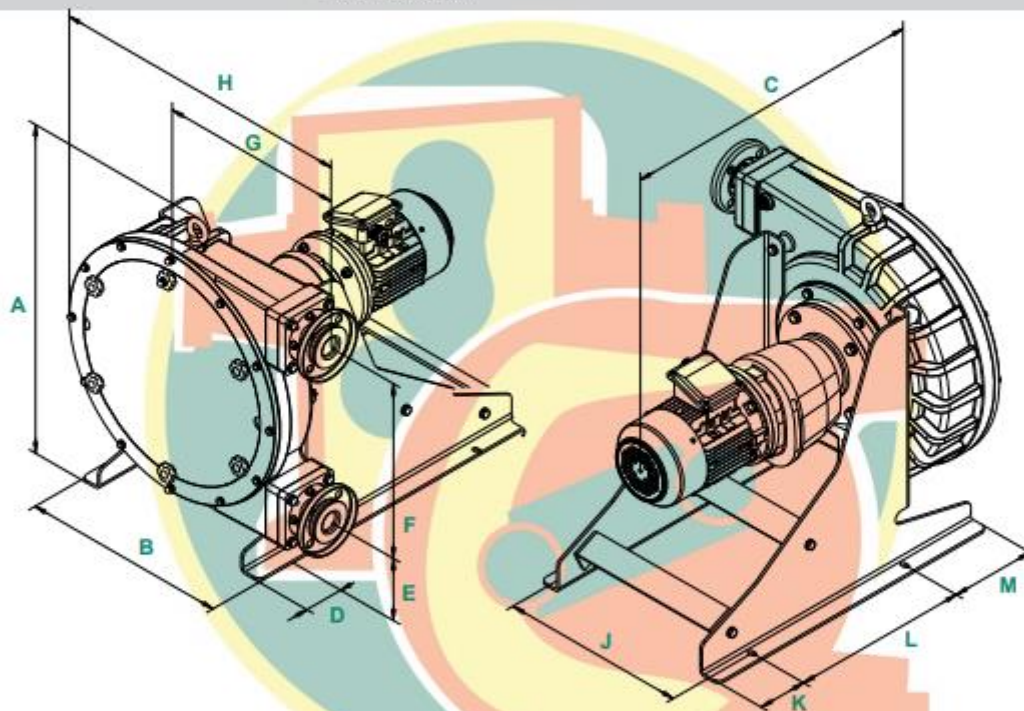


Capacity: 1,47 l/rev.
Connections: DN-40
Max. Pressure: 8 bar
Rotor system: Enlarged Rollers
Available hoses: NR
NBR
EPDM
HYPALON
NR-A
NBR-A
Available tubes: Norprene



1.9.3.3 FMP-50B data sheet - 09/2020

Description	Material	Surface treatment
Pump housing	Cast Iron EN-GJL-250	Polyester powder coated Halar coated (Optional)
Front cover	Steel F-111 / Polycarbonate	Polyester powder coated Halar coated (Optional)
Rotor	Nodular Cast Iron EN-GJL-400	Cataphoresis
Rollers	Steel F-114 + Polyurethane	--
Base plate	Steel F-111 Stainless Steel AISI-304 (Optional)	Polyester powder coated --
Connections	Stainless Steel AISI-316 Polypropylene (Optional) PVDF (Optional)	--



A	B	C	D	E	F	G	H	J	K	L	M	Connections
700	483	*	75	163	412	362	642	435	115	415	200	DIN DIN40

* To confirm according type and power driver.



Bombas Boyser, S.L.
 c/ Miquel Martí i Pol, s/n - Pol. Ind. Pla de la Costa
 08182 Sant Feliu de Codines - Barcelona - Spain
 Tel. +34 93 844 77 78 info@boyser.com

www.boyser.com



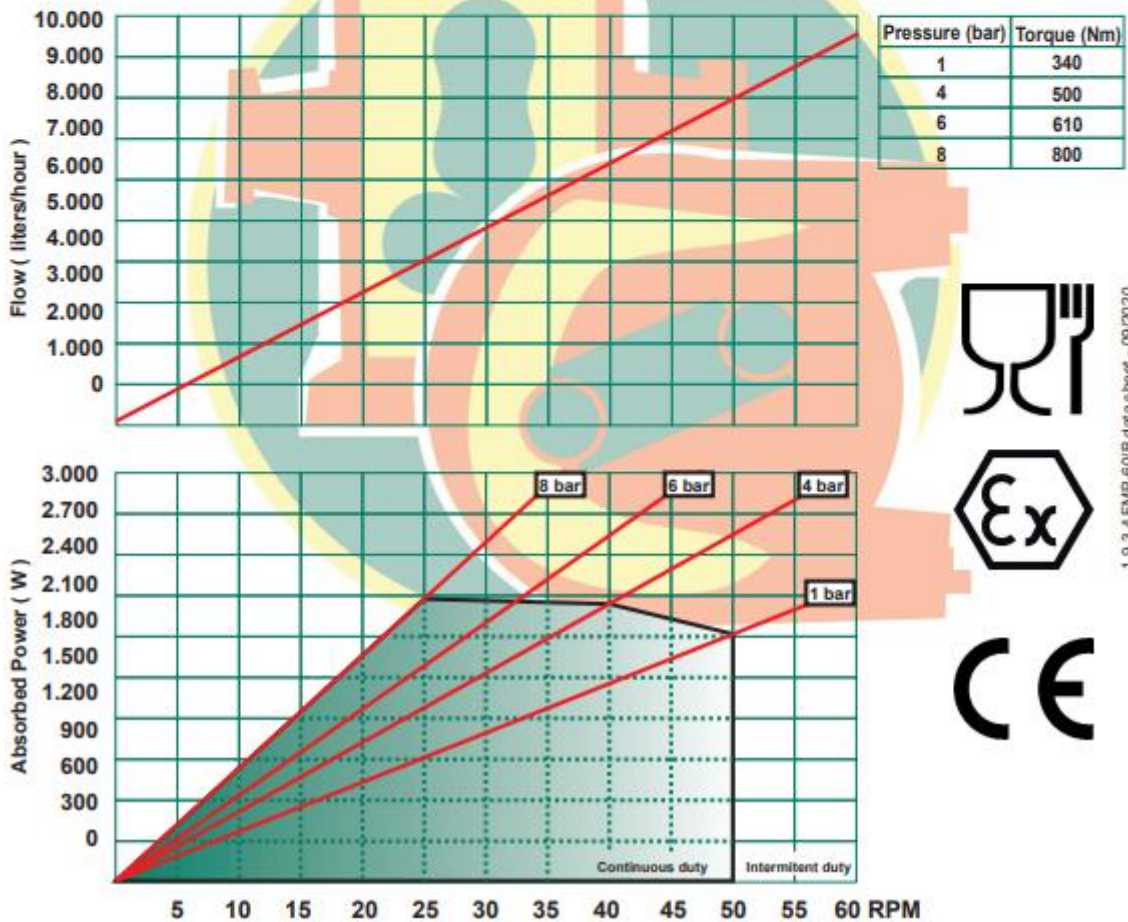


Industrial Peristaltic Pumps

FMP-60/B Data sheet

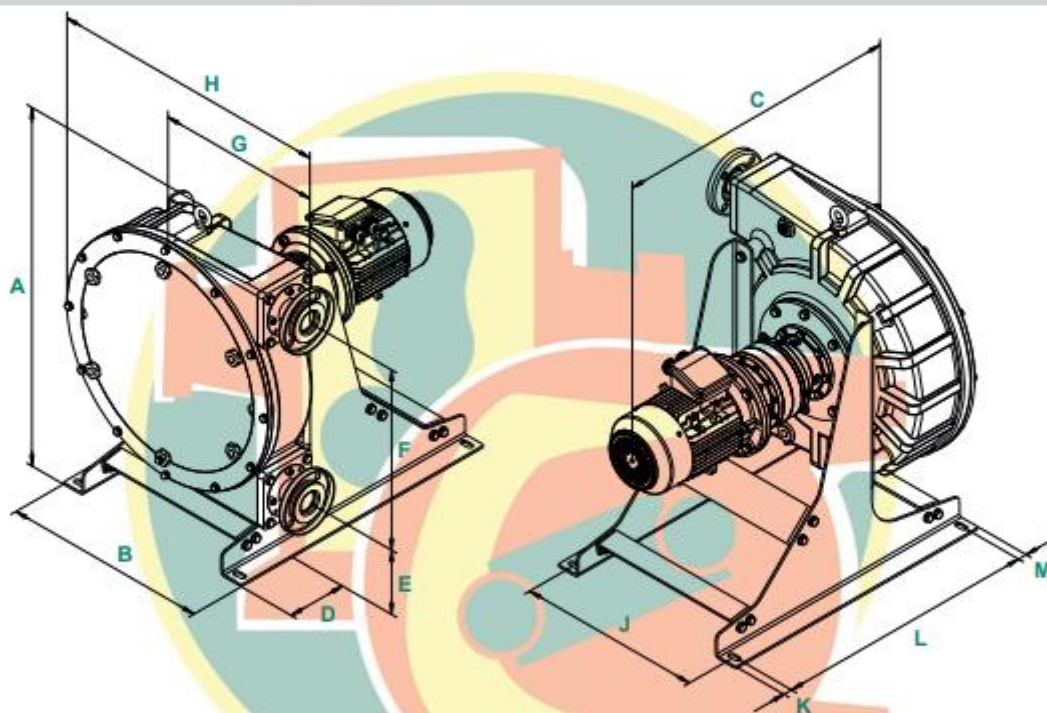


Capacity: 2,69 l/rev.
Connections: DN-50
Max. Pressure: 8 bar
Rotor system: Enlarged Rollers
Available hoses: NR
NBR
EPDM
HYPALON
NR-A
NBR-A
Available tubes: Norprene



1.9.3.4 FMP-60/B data sheet - 09/2020

Description	Material	Surface treatment
Pump housing	Cast Iron EN-GJL-250	Polyester powder coated Halar coated (Optional)
Front cover	Steel F-111 / Polycarbonate	Polyester powder coated Halar coated (Optional)
Rotor	Nodular Cast Iron EN-GJL-400	Cataphoresis
Rollers	Steel F-114 + Polyurethane	--
Base plate	Steel F-111 Stainless Steel AISI-304 (Optional)	Polyester powder coated --
Connections	Stainless Steel AISI-316 Polypropylene (Optional) PVDF (Optional)	--



A	B	C	D	E	F	G	H	J	K	L	M	Connections
850	580	*	136	212	510	378	707	520	25	740	25	DIN DIN50

* To confirm according type and power driver.



Bombas Boyser, S.L.
 c/ Miquel Martí i Pol, s/n Pol. Ind. Pla de la Costa
 08182 Sant Feliu de Codines - Barcelona - Spain
 Tel. +34 93 844 77 78 info@boyser.com

www.boyser.com





Industrial Peristaltic Pumps

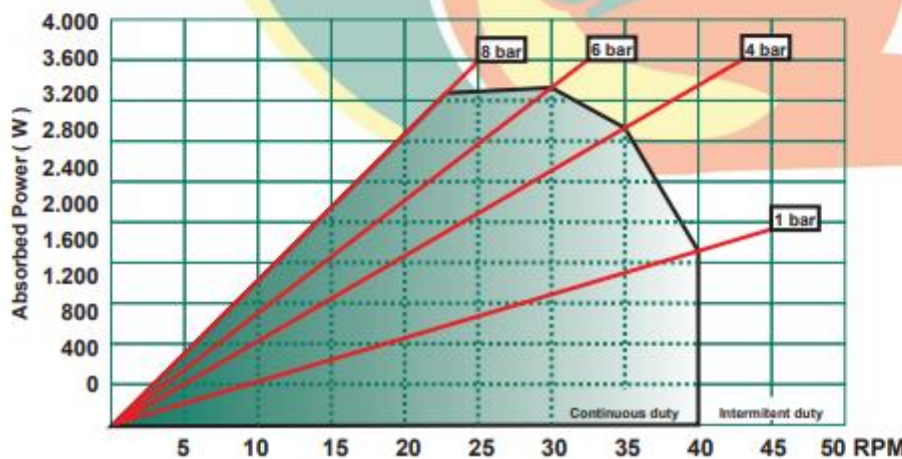
FMP-70/B Data sheet



Capacity: 6,72 l/rev.
Connections: DN-65
Max. Pressure: 8 bar
Rotor system: Enlarged Rollers
Available hoses: NR
NBR
EPDM
HYPALON
NR-A
NBR-A

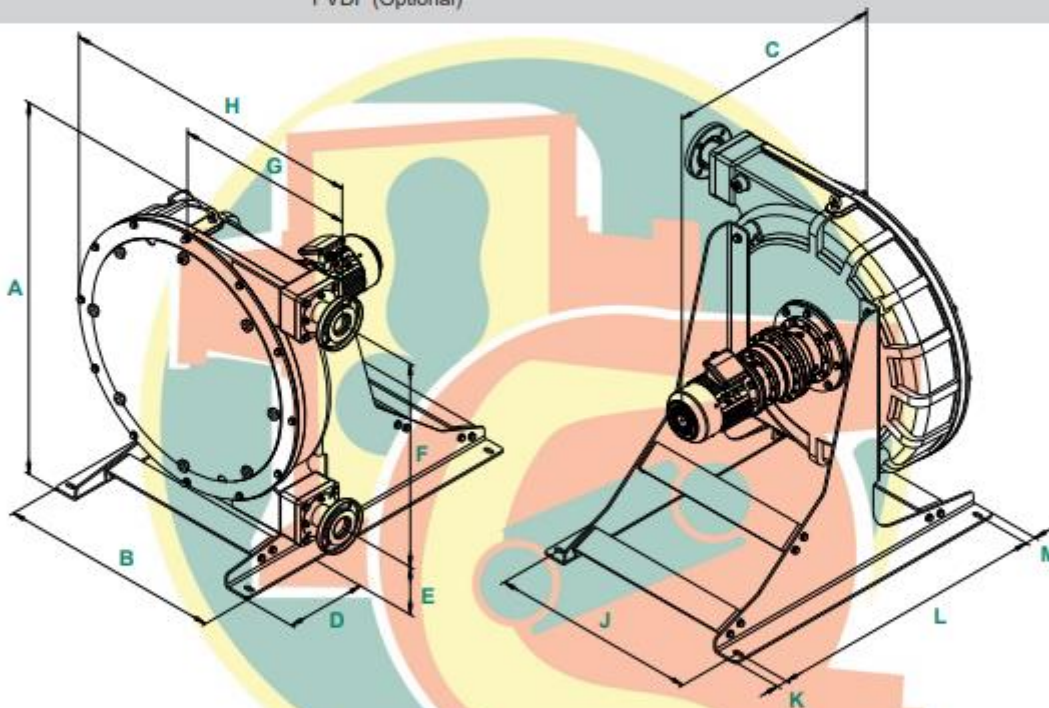


Pressure (bar)	Torque (Nm)
1	420
4	800
6	1100
8	1400



1.9.3.FMP-70/B data sheet - 09/2020

Description	Material	Surface treatment
Pump housing	Cast Iron EN-GJL-250	Polyester powder coated Halar coated (Optional)
Front cover	Steel F-111 / Polycarbonate	Polyester powder coated Halar coated (Optional)
Rotor	Nodular Cast Iron EN-GJL-400	Cataphoresis
Rollers	Steel F-114 + Polyurethane	--
Base plate	Steel F-111 Stainless Steel AISI-304 (Optional)	Polyester powder coated --
Connections	Stainless Steel AISI-316 Polypropylene (Optional) PVDF (Optional)	--



A	B	C	D	E	F	G	H	J	K	L	M	Connections
1170	854	*	250	240	784	600	1083	794	40	1065	40	DIN DN65

* To confirm according type and power driver.



Bombas Boyser, S.L.
 c/ Miquel Martí i Pol, s/n - Pol. Ind. Pla de la Costa
 08182 Sant Feliu de Codines - Barcelona - Spain
 Tel. +34 93 844 77 78 info@boyser.com

www.boyser.com



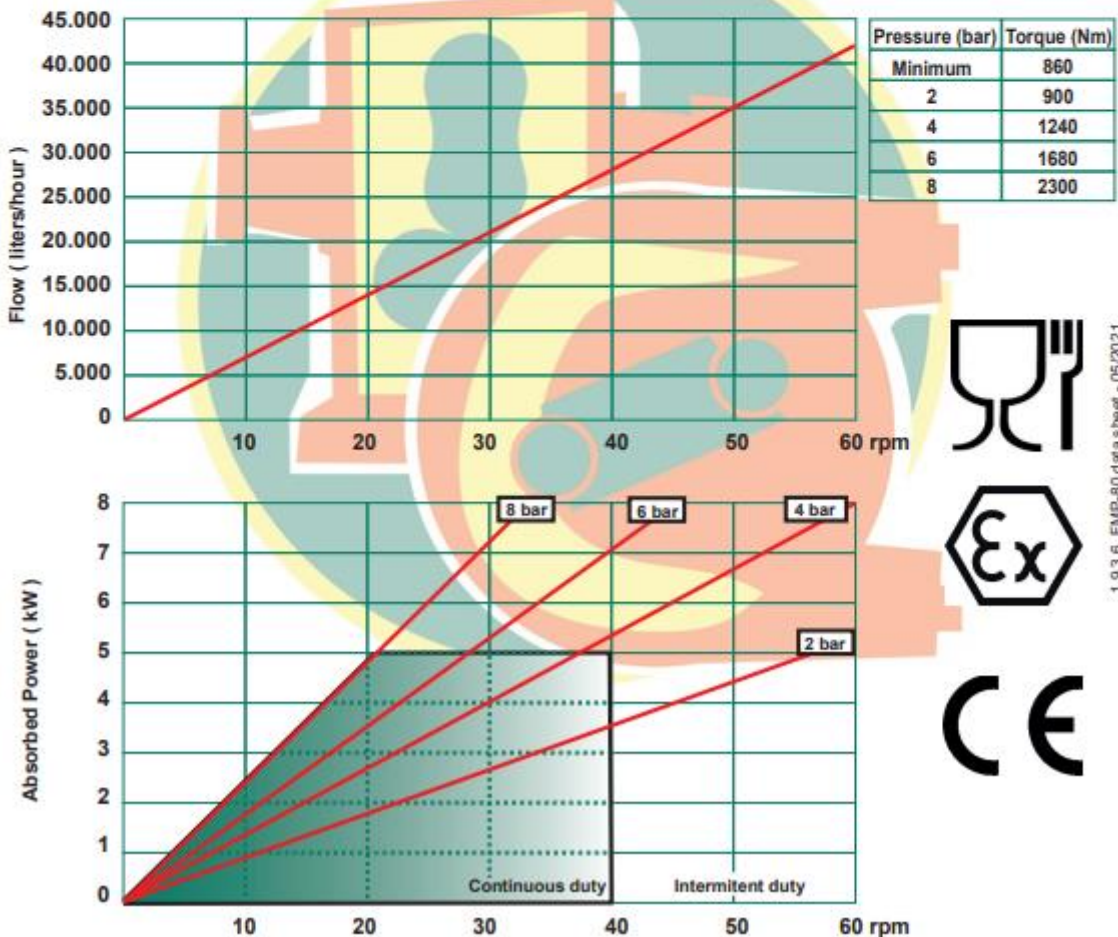


Industrial Peristaltic Pumps

FMP-80 Data sheet

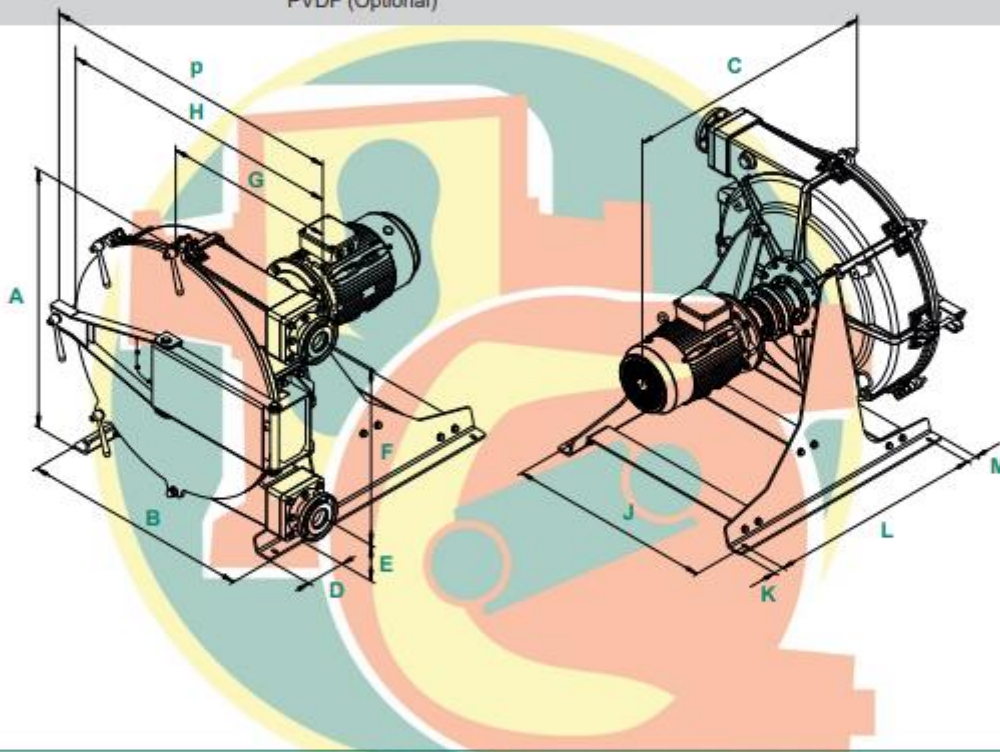


Capacity:	11,7 l/rev.
Connections:	DN-80
Max. Pressure:	8 bar
Rotor system:	Enlarged Rollers
Available hoses:	NR NBR EPDM HYPALON



1.9.3.6 FMP-80 data sheet - 05/2021

Description	Material	Surface treatment
Pump housing	Cast Iron EN-GJL-250	Liquid Painting, with two-component polyurethane paint Halar coated (Optional)
Front cover	PVC	--
Rotor	Nodular Cast Iron EN-GJL-400	Cataphoresis
Rollers	Steel F-114 + Polyurethane	--
Base plate	Steel F-111 Stainless Steel AISI-304 (Optional)	Polyester powder coated --
Connections	Stainless Steel AISI-316 Polypropylene (Optional) PVDF (Optional)	--



A	B	C	D	E	F	G	H	J	K	L	M	N	P	Connections
1225	1093	*	137	205	850	688	1235	1045	50	1100	275	50	1307	DIN DN80

* To confirm according type and power driver.



Bombas Boyser, S.L.
c/ Miquel Martí i Pol, s/n - Pol. Ind. Pla de la Costa
08182 Sant Feliu de Codines - Barcelona - Spain
Tel. +34 93 844 77 78 info@boyser.com

www.boyser.com

