

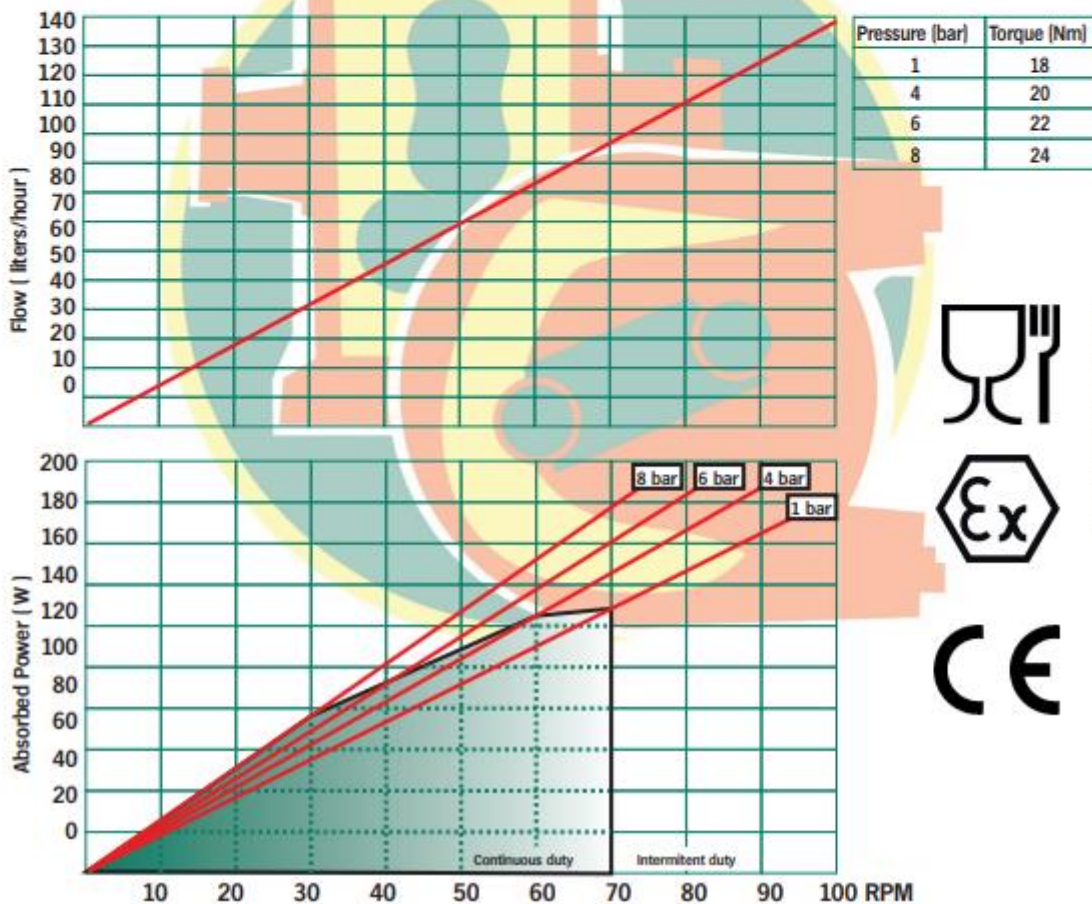


## Industrial Peristaltic Pumps AMP-10B Data sheet



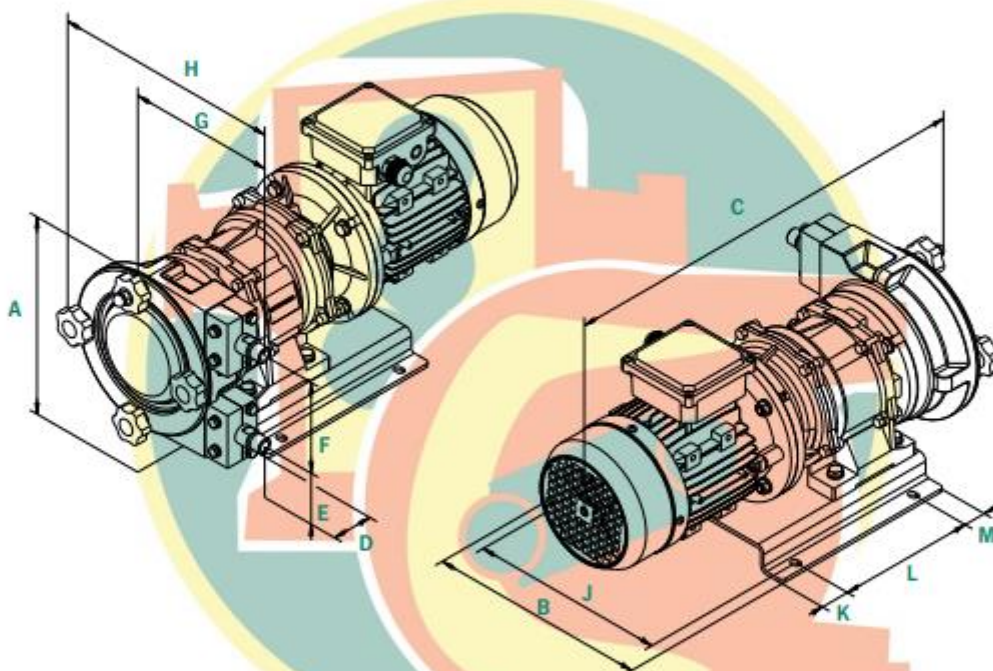
**Capacity:** 0,023 l/rev.  
**Connections:** 3/8"  
**Max. Pressure:** 8 bar  
**Rotor system:** Rollers  
**Available hoses:** NR  
NBR  
EPDM  
HYPALON  
NR-A  
NBR-A  
**Available tubes:** Norprene

Performance table



L922 AMP-10B data sheet - 09/2000

Description	Material	Surface treatment
Pump housing	Aluminium EN-AC-44100	Polyester powder coated Halar coated (Optional)
Front cover	Methacrylate	--
Rotor	Nodular Cast Iron EN-GJL-400	Cataphoresis
Rollers	Steel F-114	Blueing
Base plate	Steel F-111 Stainless Steel AISI-304 (Optional)	Polyester powder coated --
Connections	Stainless Steel AISI-316 Polypropylene (Optional) PVDF (Optional)	--



A	B	C	D	E	F	G	H	J	K	L	M	Connections
202	210	*	39	52	107	141	238	187	30	160	30	3/8" BSP

\* To confirm according type and power driver.



**Bombas Boyser, S.L.**  
 c/ Miquel Martí i Pol, s/n Pol. Ind. Pla de la Costa  
 08182 Sant Feliu de Codines - Barcelona - Spain  
 Tel +34 93 844 77 78 info@boyser.com

[www.boyser.com](http://www.boyser.com)





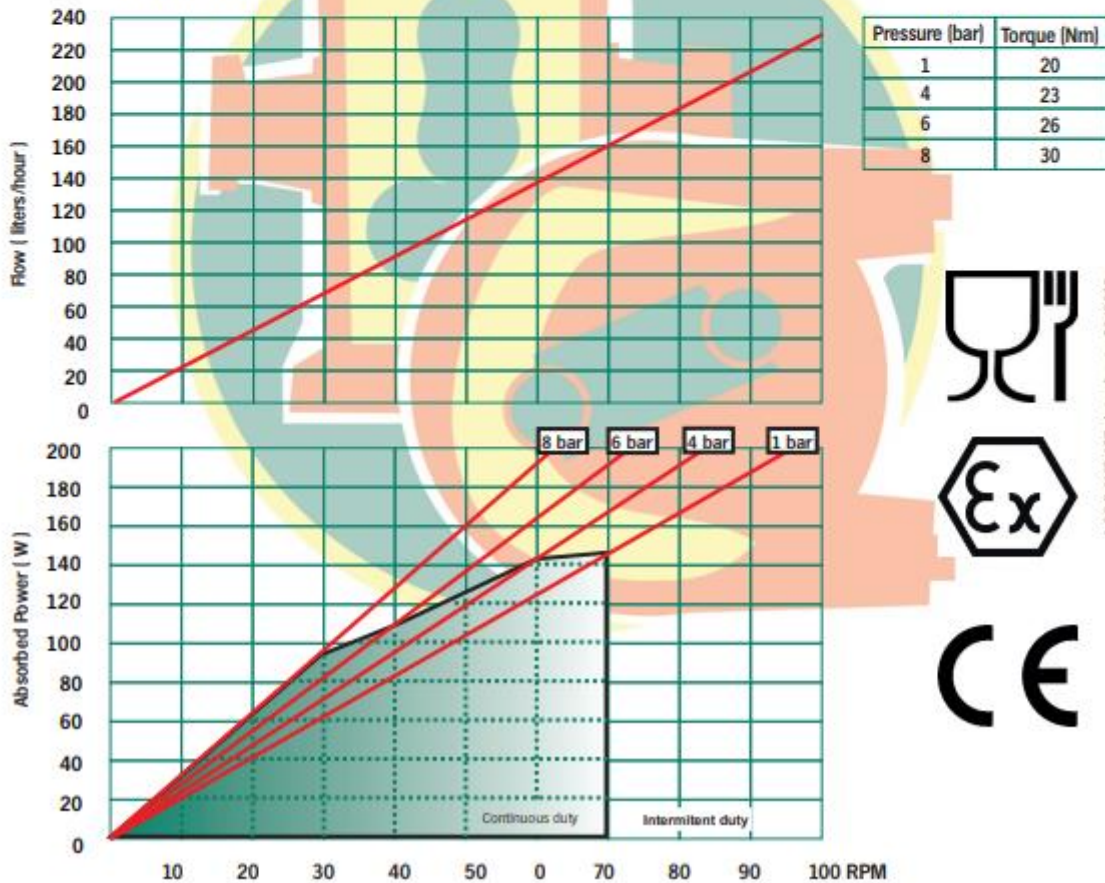
## Industrial Peristaltic Pumps

### AMP-13B Data sheet



**Capacity:** 0,038 l/rev.  
**Connections:** 3/8"  
**Max. Pressure:** 8 bar  
**Rotor system:** Rollers  
**Available hoses:** NR  
 NBR  
 EPDM  
 HYPALON  
 NR-A  
 NBR-A  
**Available tubes:** Norprene

Performance table



1.9.2 AMP-13B data sheet - 09/2020





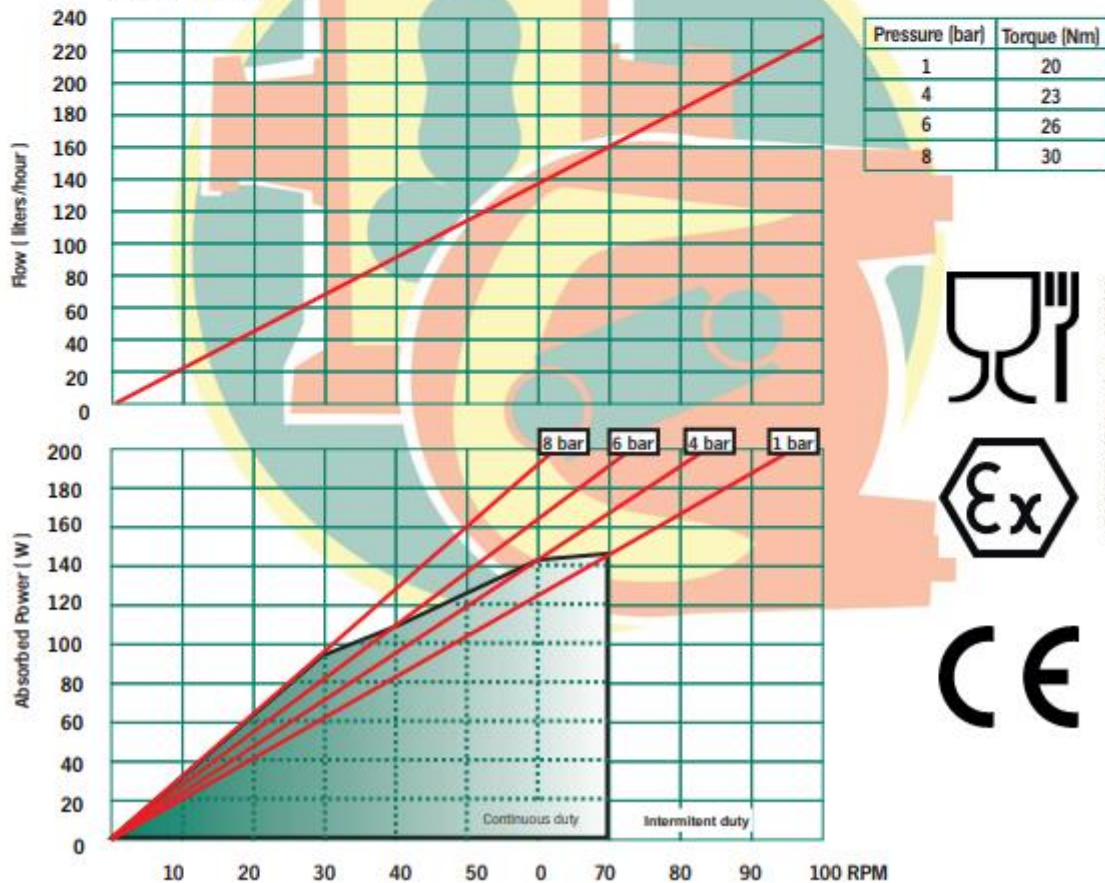
# Industrial Peristaltic Pumps

## AMP-13B Data sheet



**Capacity:** 0,038 l/rev.  
**Connections:** 3/8"  
**Max. Pressure:** 8 bar  
**Rotor system:** Rollers  
**Available hoses:** NR  
NBR  
EPDM  
HYPALON  
NR-A  
NBR-A  
**Available tubes:** Norprene

Performance table



1.9.2.2 AMP-13B data sheet - 05/2020

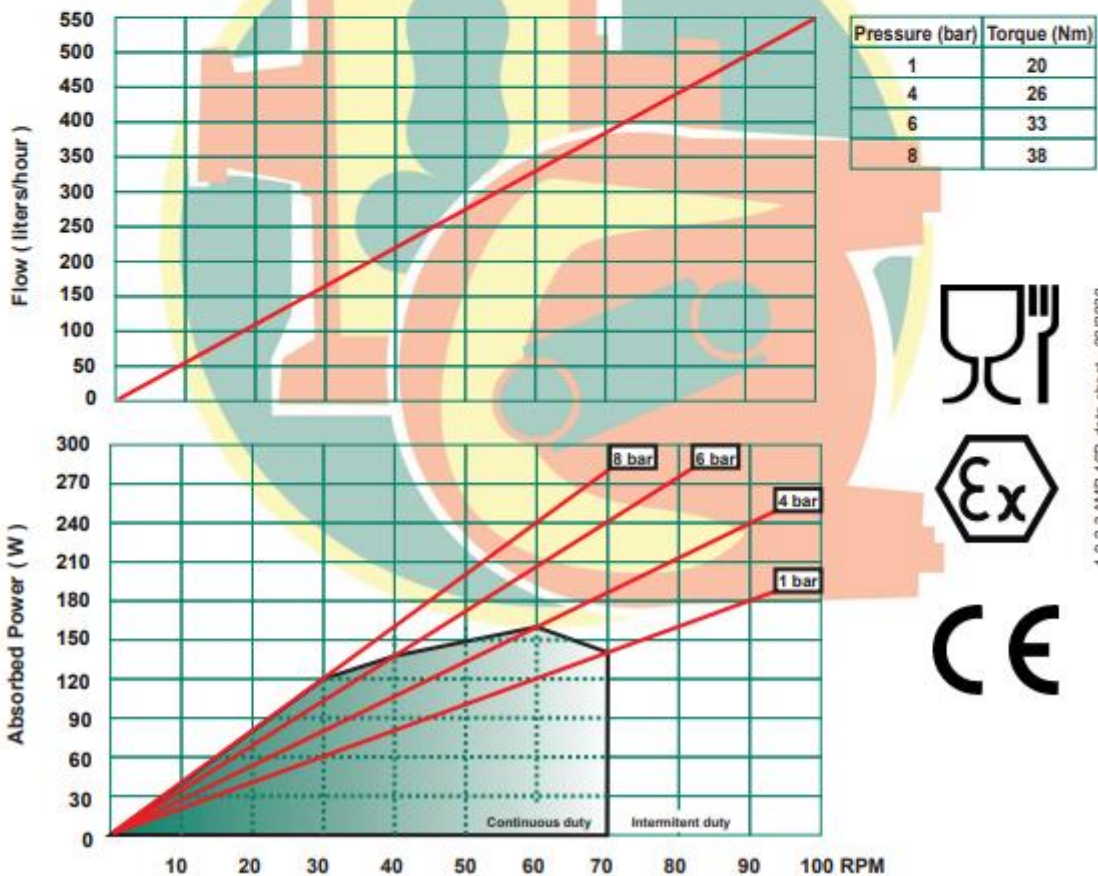


## Industrial Peristaltic Pumps AMP-16D Data sheet



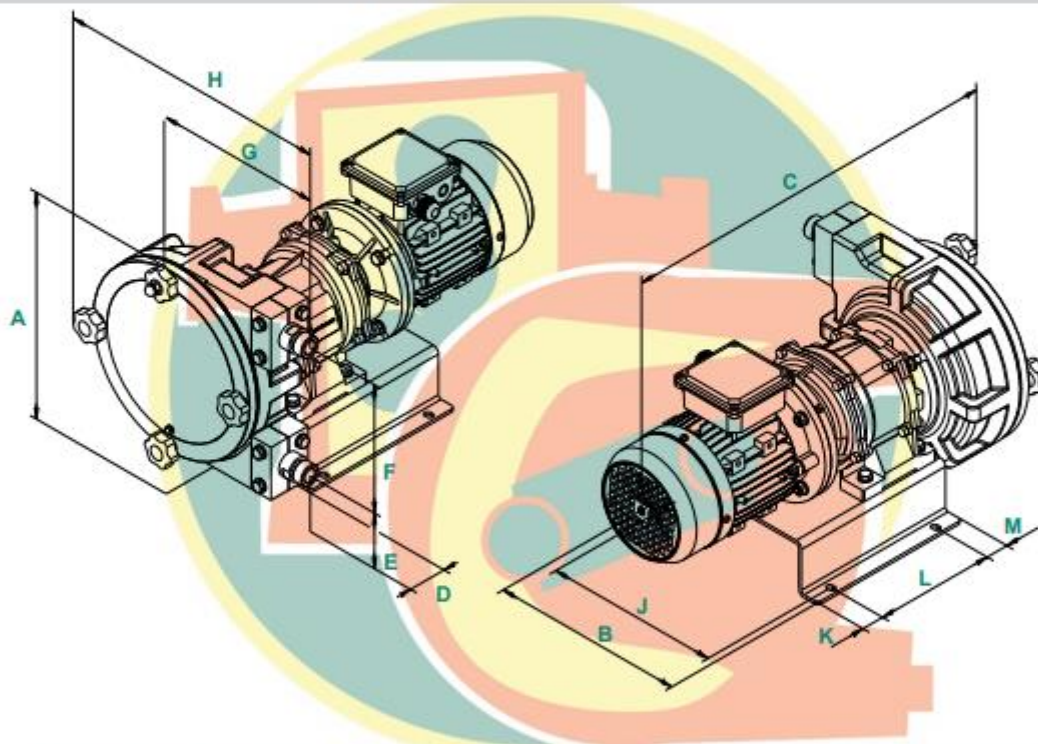
**Capacity:** 0,092 l/rev.  
**Connections:** 3/4"  
**Max. Pressure:** 8 bar  
**Rotor system:** Rollers  
**Available hoses:** NR  
 NBR  
 EPDM  
 HYPALON  
 NR-A  
 NBR-A  
**Available tubes:** Norprene

Performance table



1.9.2.3 AMP-16D data sheet - 09/2020

Description	Material	Surface treatment
Pump housing	Aluminium EN-AC-44100	Polyester powder coated Halar coated (Optional)
Front cover	Steel F-111 / Polycarbonate	Polyester powder coated Halar coated (Optional)
Rotor	Nodular Cast Iron EN-GJL-400	Cataphoresis
Rollers	Steel F-114	Blueing
Base plate	Steel F-111 Stainless Steel AISI-304 (Optional)	Polyester powder coated --
Connections	Stainless Steel AISI-316 Polypropylene (Optional) PVDF (Optional)	--



A	B	C	D	E	F	G	H	J	K	L	M	Connections
275	210	*	49	60	170	173	303	190	30	160	30	3/4" BSP

\* To confirm according type and power driver.



**Bombas Boyser, S.L.**  
 c/ Miquel Martí i Pol, s/n Pol. Ind. Pla de la Costa  
 08182 Sant Feliu de Codines - Barcelona - Spain  
 Tel. +34 93 844 77 78 info@boyser.com

[www.boyser.com](http://www.boyser.com)





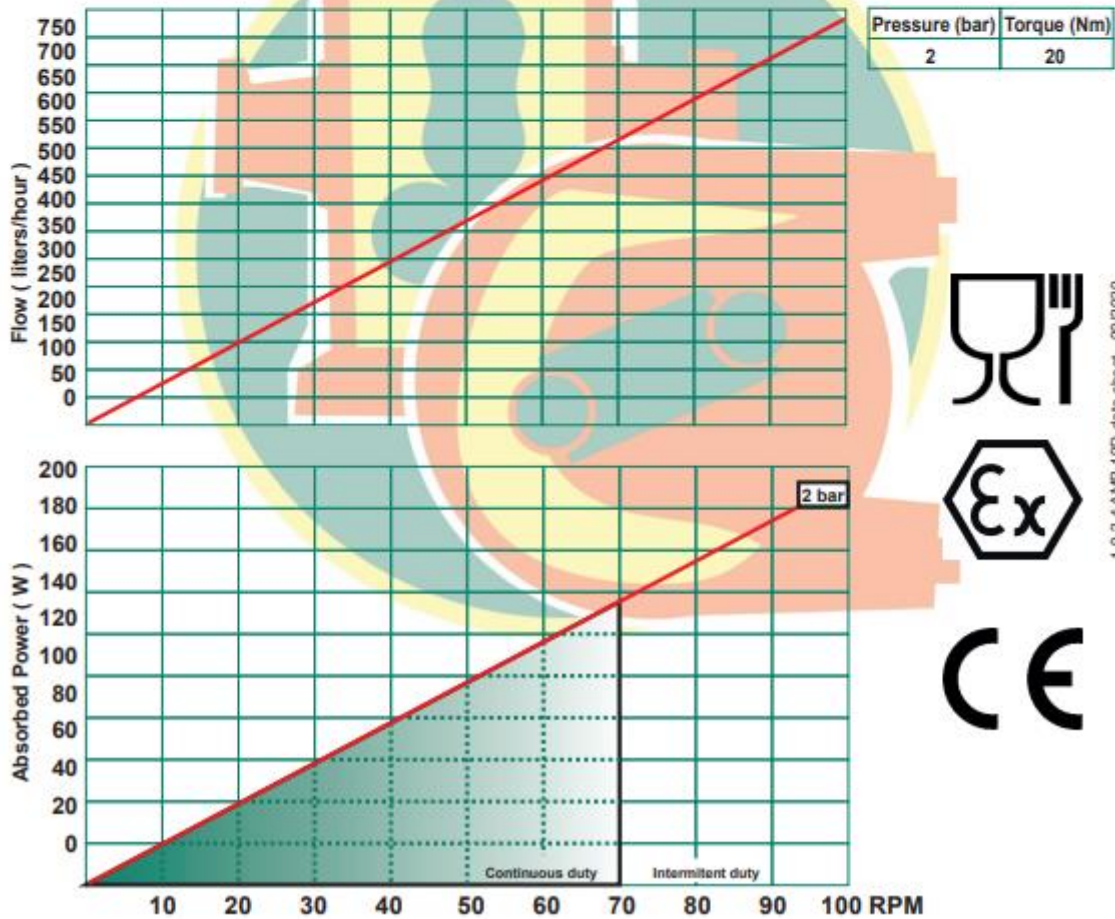


## Industrial Peristaltic Pumps

### AMP-19D Data sheet

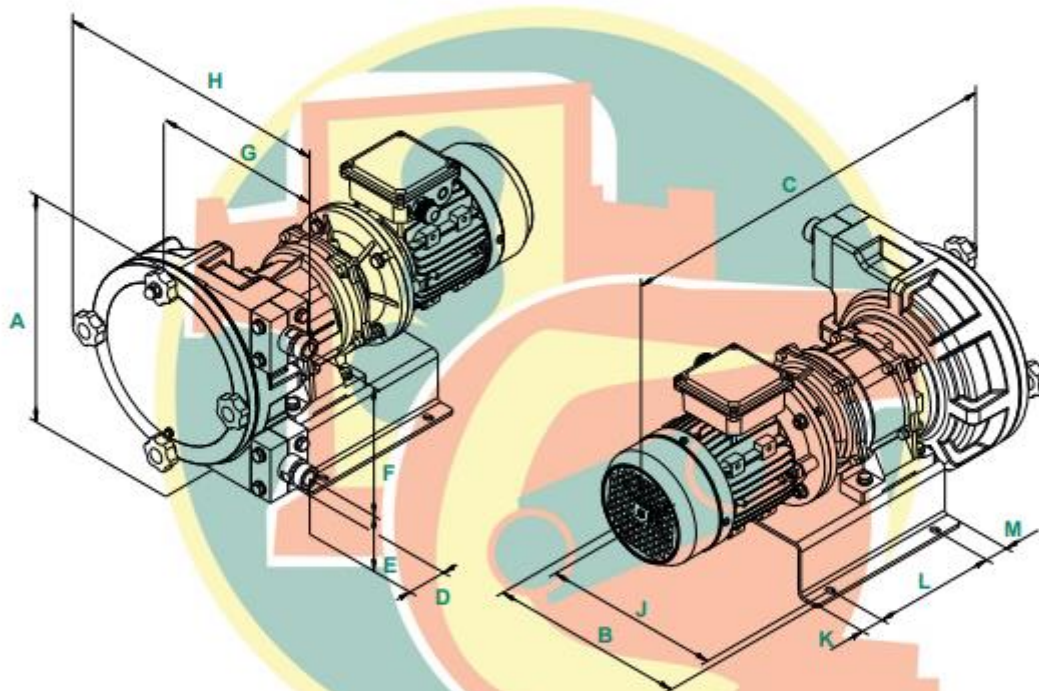


**Capacity:** 0,123 l/rev.  
**Connections:** 1"  
**Max. Pressure:** 2 bar  
**Rotor system:** Rollers  
**Available hoses:** --  
**Available tubes:** Norprene  
Tygon



1.9.2.4 AMP-19D data sheet - 05/2020

Description	Material	Surface treatment
Pump housing	Aluminium EN-AC-44100	Polyester powder coated Halar coated (Optional)
Front cover	Steel F-111 / Polycarbonate	Polyester powder coated Halar coated (Optional)
Rotor	Nodular Cast Iron EN-GJL-400	Cataphoresis
Rollers	Steel F-114	Blueing
Base plate	Steel F-111 Stainless Steel AISI-304 (Optional)	Polyester powder coated --
Connections	Stainless Steel AISI-316 Polypropylene (Optional) PVDF (Optional)	--



A	B	C	D	E	F	G	H	J	K	L	M	Connections
275	210	*	49	60	170	173	303	190	30	160	30	1" BSP

\* To confirm according type and power driver.



**Bombas Boyser, S.L.**  
 c/ Miquel Martí i Pol, s/n - Pol. Ind. Pla de la Costa  
 08182 Sant Feliu de Codines - Barcelona - Spain  
 Tel. +34 93 844 77 78 info@boyser.com

[www.boyser.com](http://www.boyser.com)





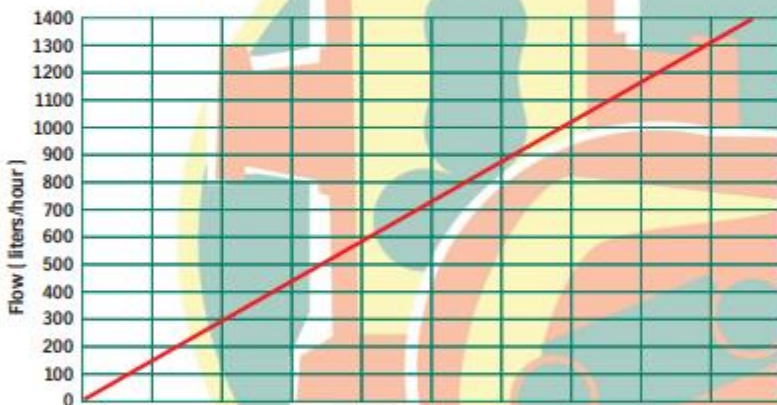


## Industrial Peristaltic Pumps AMP-22 Data sheet

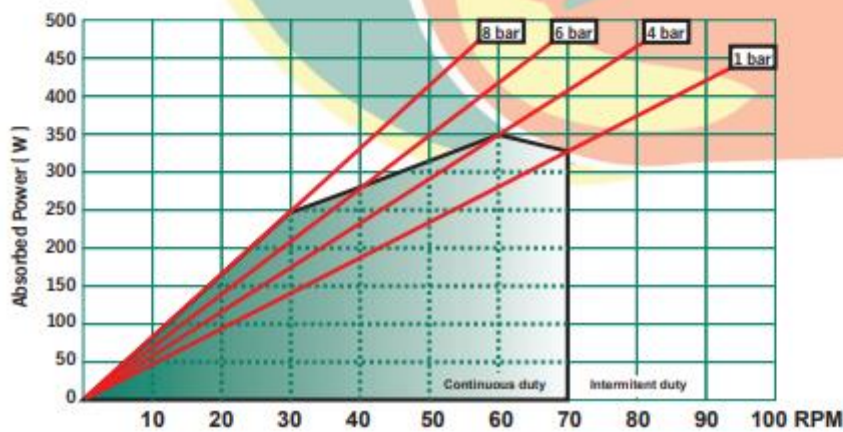


**Capacity:** 0,246 l/rev.  
**Connections:** 1"  
**Max. Pressure:** 8 bar  
**Rotor system:** Rollers  
**Available hoses:** NR  
NBR  
EPDM  
HYPALON  
NR-A  
NBR-A  
**Available tubes:** Norprene  
Silicone

Performance table

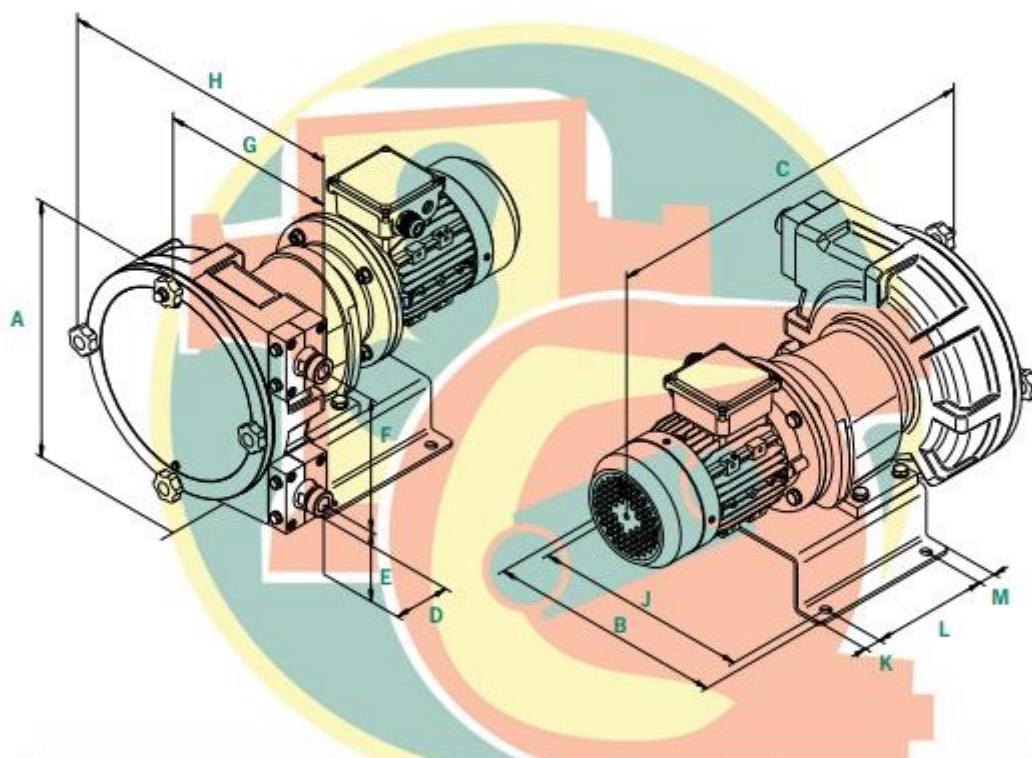


Pressure (bar)	Torque (Nm)
1	45
4	56
6	67
8	78



13.25 AMP-22 data sheet - 05/2020

Description	Material	Surface treatment
Pump housing	Aluminium EN-AC-44100	Polyester powder coated Halar coated (Optional)
Front cover	Steel F-111 / Polycarbonate	Polyester powder coated Halar coated (Optional)
Rotor	Nodular Cast Iron EN-GJL-400	Cataphoresis
Rollers	Steel F-114	Blueing
Base plate	Steel F-111 Stainless Steel AISI-304 (Optional)	Polyester powder coated --
Connections	Stainless Steel AISI-316 Polypropylene (Optional) PVDF (Optional)	--



A	B	C	D	E	F	G	H	J	K	L	M	Connections
358	290	*	69	90	201	211	378	260	25	175	25	1" BSP

\* To confirm according type and power driver.



**Bombas Boyser, S.L.**  
 c/ Miquel Martí i Pol, s/n Pol. Ind. Pla de la Costa  
 08182 Sant Feliu de Codines - Barcelona - Spain  
 Tel. +34 93 844 77 78 info@boyser.com

[www.boyser.com](http://www.boyser.com)

