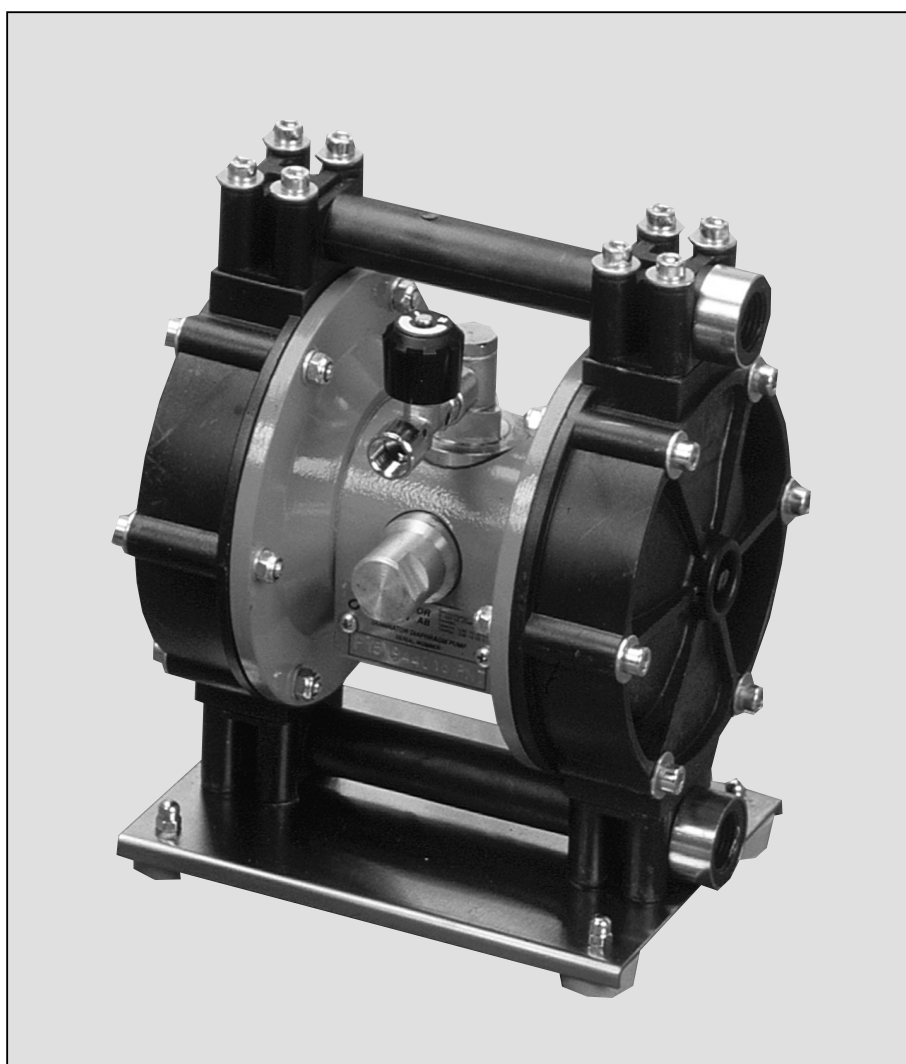


# **DOMINATOR**

## **Reservdelslista Spare Parts List**



**Pump  
P15P/D-P16P/D  
T15P/D**

Vid beställning av reservdelar, ange alltid pumpens hela typbeteckning, enl. nedan.  
When ordering spare parts, please mention type and serial number of the pump, as below.

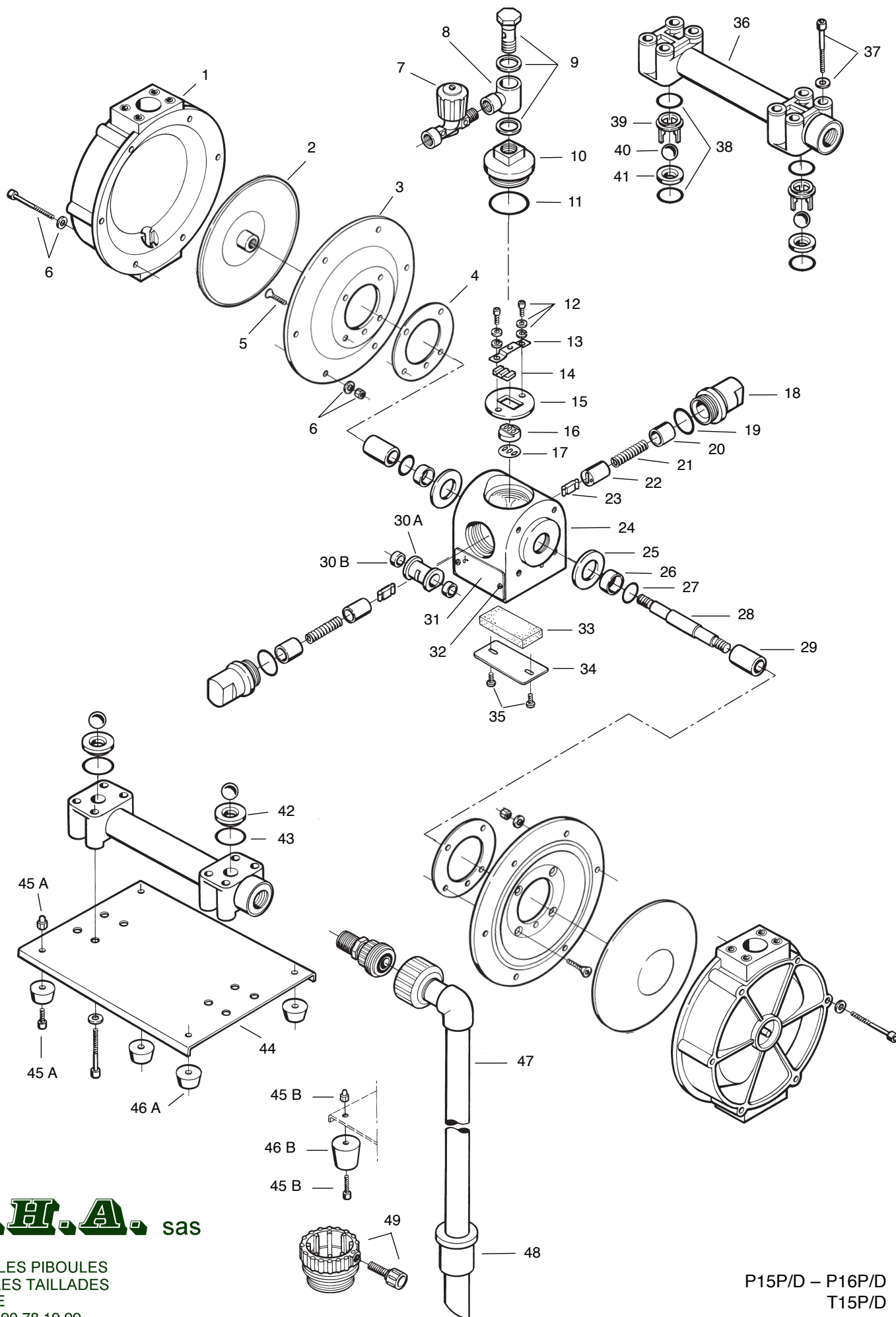
Denna reservdelslista har bifogats pump typ:  
This spare parts list has been attached to pump type: \_\_\_\_\_

# P15P/D-P16P/D - T15P/D

## Reservdelslista - Spare Parts List

| Pos. | Benämning<br>Description                         | Artikelnr<br>Part no | Antal<br>Qty | Pos. | Benämning<br>Description                                    | Artikelnr<br>Part no              | Antal<br>Qty |
|------|--|----------------------|--------------|------|---|-----------------------------------|--------------|
| 1    | Pumpkammare<br>Pump Chamber                      | PP 10069             | 2            | 31   | Dataskylt<br>Data Sign                                      | 20023                             | 1            |
| 1    | Pumpkammare<br>Pump Chamber                      | PVDF 10070           | 2            | 32   | Skruv<br>Screw  | —                                 | 2            |
| 2    | Membran<br>Diaphragm                             | NBR 10014            | 2            | 33   | Ljuddämparkudde<br>Muffler Pad                              | 20022                             | 1            |
| 2    | Membran<br>Diaphragm                             | EPDM 10017           | 2            | 34   | Täckplåt<br>Cover Plate                                     | 10023                             | 1            |
| 2    | Membran<br>Diaphragm                             | VITON 10015          | 2            | 35   | Skruv<br>Screw  | —                                 | 2            |
| 2    | Membran<br>Diaphragm                             | PTFE/NBR 10016       | 2            | 36   | Grenrör<br>Manifold   | PP 10085                          | 2            |
| 3    | Luftkammare<br>Air Chamber                       | AL 10003             | 2            | 36   | Grenrör<br>Manifold   | PP TWIN 10185                     | 4            |
| 4    | Packning<br>Gasket                               | 10004                | 2            | 36   | Grenrör<br>Manifold   | PVDF 10086                        | 2            |
| 5    | Skruv<br>Screw                                   | —                    | 8            | 37   | Skruv + Bricka<br>Screw + Washer                            | —                                 | 16           |
| 6    | Bult, Bricka, Mutter<br>Bolt, Washer, Nut        | —                    | 12           | 38   | O-Ring  | VITON 10083                       | 4            |
| 7    | Nålventil<br>Needle Valve                        | 20108                | 1            | 38   | O-Ring  | EPDM 10087                        | 4            |
| 8    | Banjo  | 10140                | 1            | 38   | O-Ring  | NBR 10093                         | 4            |
| 9    | Hålskruv Inkl. Brickor<br>Screw Incl. Washer     | 10139                | 1            | 39   | Kulstopp<br>Ball Stopper                                    | PP 10073                          | 2            |
| 10   | Propp<br>Plug                                    | 10098                | 1            | 39   | Kulstopp<br>Ball Stopper                                    | PVDF 10074                        | 2            |
| 11   | O-Ring   | NBR 20056            | 1            | 40   | Ventilkula<br>Valve Ball                                    | EPDM 10065                        | 4            |
| 12   | Skruv + Brickor<br>Screw + Washers               | —                    | 2            | 40   | Ventilkula<br>Valve Ball                                    | NBR 10066                         | 4            |
| 13   | Fjäderbleck<br>Retainer                          | 20062                | 1            | 40   | Ventilkula<br>Valve Ball                                    | VITON 10067                       | 4            |
| 14   | Slid<br>Slide                                    | 20064                | 1            | 40   | Ventilkula<br>Valve Ball                                    | PTFE 10068                        | 4            |
| 15   | Ventilhållare<br>Valve Guide                     | 20065                | 1            | 41   | Ventilsäte<br>Valve Seat                                    | PP (Utlopp)<br>(Outlet) 10075-X   | 2            |
| 16   | Luftventilsäte<br>Air Valve Seat                 | 20052                | 1            | 41   | Ventilsäte<br>Valve Seat                                    | PVDF (Utlopp)<br>(Outlet) 10076-X | 2            |
| 17   | Packning<br>Gasket                               | 20053                | 1            | 42   | Ventilsäte<br>Valve Seat                                    | PP (Inlopp)<br>(Inlet) 10077-X    | 2            |
| 18   | Fjäderhuv<br>Spring Cap                          | 10097                | 2            | 42   | Ventilsäte<br>Valve Seat                                    | PVDF (Inlopp)<br>(Inlet) 10078-X  | 2            |
| 19   | O-Ring   | NBR 30005            | 2            | 43   | O-Ring  | VITON 10084                       | 2            |
| 20   | Lager<br>Bearing                                 | 20057                | 2            | 43   | O-Ring  | EPDM 10088                        | 2            |
| 21   | Fjäder<br>Spring                                 | 20058                | 2            | 43   | O-Ring  | NBR 10094                         | 2            |
| 22   | Fjäderhylsa<br>Spring Guide                      | 20059                | 2            | 44   | Fot<br>Foot   | 10099                             | 1            |
| 23   | Medbringare<br>Carrier                           | 20060                | 2            | 45A  | Skruv + Kupolmutter<br>Screw + Cap Nut                      | —                                 | 4            |
| 24   | Centerblock                                      | AL 10096             | 1            | 46A  | Gummifot<br>Rubber Foot                                     | 10100                             | 4            |
| 25   | Stötdämpargummi<br>Adsorber                      | PU 10142             | 2            | 45B  | Skruv + Kupolmutter - För Fat<br>Screw + Cap Nut - For Drum | —                                 | 4            |
| 26   | Lager<br>Bearing                                 | 20020                | 2            | 46B  | Gummifot - För Fat<br>Rubber Foot - For Drum                | 20100                             | 4            |
| 27   | O-Ring   | NBR 20019            | 2            | 47   | Fatrör Komplet<br>Drum Pipe Complete                        | PP 10051                          | 1            |
| 28   | Axel<br>Shaft                                    | 10131                | 1            | 47   | Fatrör Komplet<br>Drum Pipe Complete                        | PVDF 10052                        | 1            |
| 29   | Axelhylsa<br>Shaft Bushing                       | 10018                | 2            | 48   | Fat-Adapter<br>Drum-Adapter                                 | 10054                             | 1            |
| 30A  | Glidsko Inkl. Lager<br>Slide Shoe Incl. Bearings | 10141                | 1            | 49   | Fatmutter<br>Drum Connection                                | 20054                             | 1            |
| 30B  | Lager<br>Bearing                                 | 10133                | 2            |      |   |                                   |              |

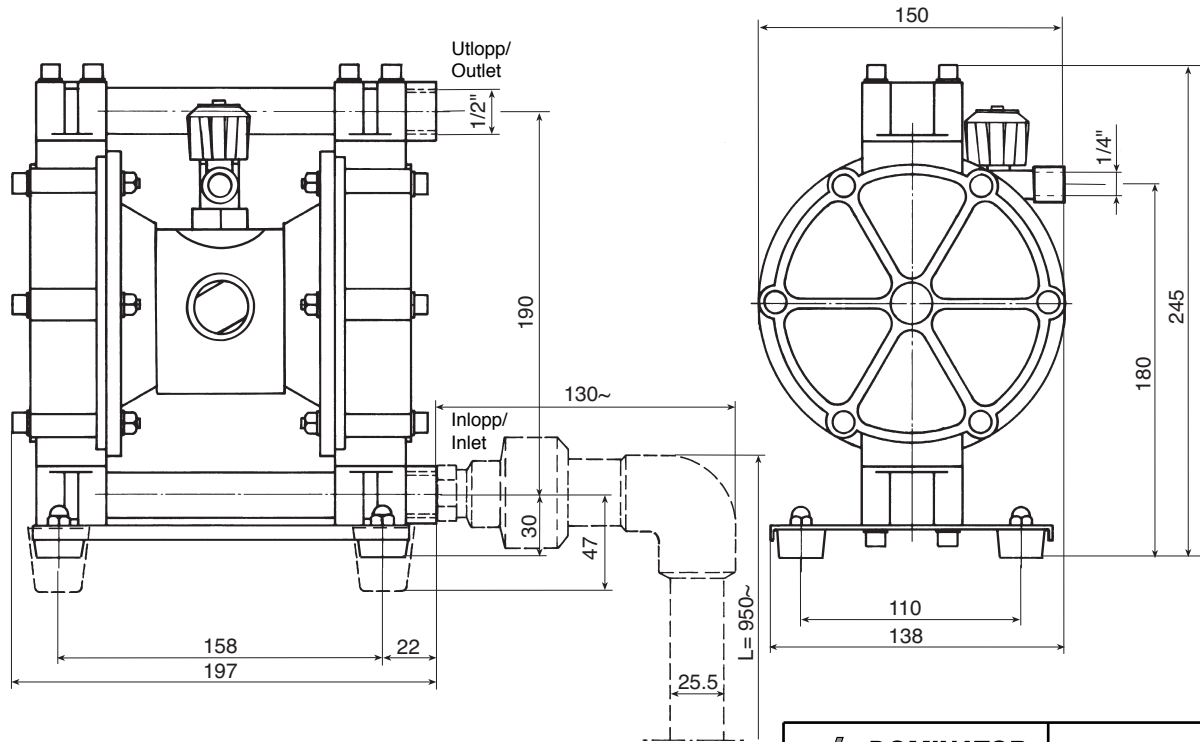
(Centerblock komplett har artikelnummer 10153)  
(Centerblock complete has part no 10153)



**P.H.A. sas**

14 Z.A. LES PIBOULES  
 84300 LES TAILLADES  
 FRANCE  
 TEL. 04.90.78.19.99  
 FAX 04.90.78.09.00  
 E-Mail : contact@pha.fr

P15P/D - P16P/D  
 T15P/D



All measurements are within a tolerance of  $\pm 4$  mm

**DOMINATOR PUMP AB**  
 Grossistgatan 3 Tel 036-18 11 60  
 SE-553 02 JÖNKÖPING Telefax 036-18 11 69  
 Sweden

**PUMP type P10A/P11A T15P/D**

**P.H.A. sas**

**DOMINATOR PUMP AB**

14 Z.A. LES PIBOULES  
 84300 LES TAILLADES  
 FRANCE  
 TEL. 04.90.78.19.99  
 FAX 04.90.78.09.00  
 E-Mail : contact@pha.fr

Grossistgatan 3, SE-553 02 JÖNKÖPING, Sweden  
 Phone: +46 36 18 11 60 Telefax: +46 36 18 11 69  
 E-mail: info@dominatorpump.com  
 www.dominatorpump.com

