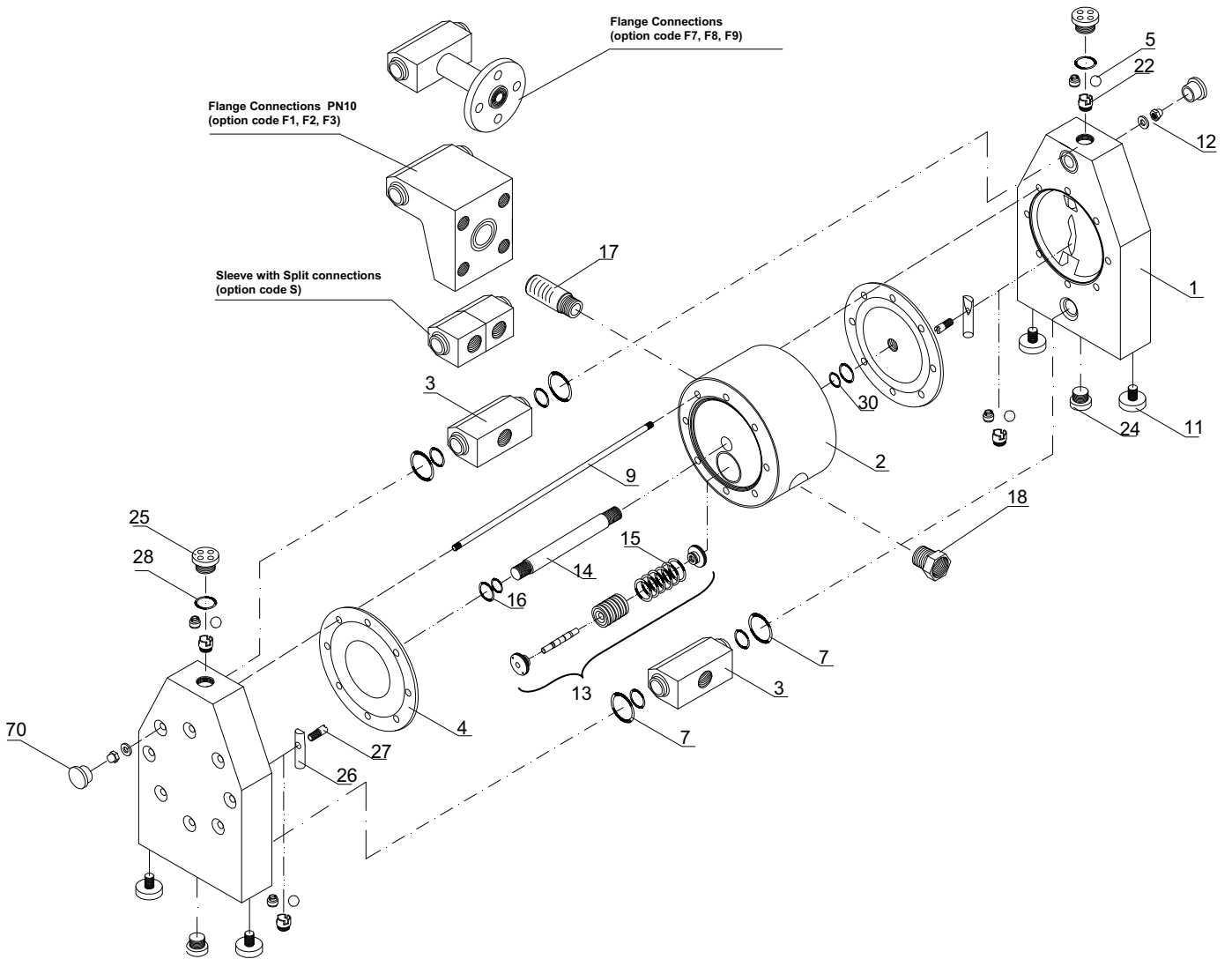


5.3. DM 40/315, DM 50/565



P.H.A. sas

14 Z.A. LES PIBOULES
84300 LES TAILLADES
FRANCE

TEL. 04.90.78.19.99

FAX 04.90.78.09.00

E-Mail : contact@pha.fr

Spare parts list for DM 40/315 and DM 50/565 pumps

				DM 40/315	DM 50/565
1.	2	Pump housing	PE	2 40 001 20	2 50 001 20
			PE conductive	2 40 001 21	2 50 001 21
			PTFE	2 40 001 23	2 50 001 23
			PTFE conductive	2 40 001 24	2 50 001 24
2.	1	Center housing	PE	1 40 10 20	1 50 10 20
			PE conductive	1 40 10 21	1 50 10 21
3.	2	Suction/Discharge ports	PE	2 40 30 20	2 50 30 20
			PE conductive	2 40 30 21	2 50 30 21
			PTFE	2 40 30 23	2 50 30 23
			PTFE conductive	2 40 30 24	2 50 30 24
			AISI 316L	2 40 35 53	2 50 35 53
		Suction/discharge ports-twin	PE	2 40 31 20	2 50 31 20
4.	2	Diaphragm	TFM (PTFE)	1 40 50 05	1 50 50 05
			EPDM	1 40 50 08	1 50 50 08
			NBR	1 40 50 10	1 50 50 10
5.	4	Cylinder valves	PE	2 40 56 20	2 50 56 20
			PTFE	2 40 56 23	2 50 56 23
			PE conductive	2 40 56 21	2 50 56 21
			PTFE conductive	2 40 56 24	2 50 56 24
	4	Valve balls	PTFE	1 40 60 23	1 50 60 23
			EPDM	1 40 60 08	1 50 60 08
			NBR	1 40 60 10	1 50 60 10
			AISI 316	1 40 60 52	1 50 60 52
			Polyurethane	1 40 60 07	1 50 60 07
7.	4	Sealing inlet/outlet - SET	PTFE/FPM	2 40 73 14	2 50 73 14
			PTFE/EPDM	2 40 73 15	2 50 73 15
			PTFE-c./FPM	2 40 73 16	2 50 73 16
			PTFE-c./EPDM	2 40 73 17	2 50 73 17
9.	8	Housing bolt	AISI 304	2 40 042 50	2 50 042 50
11.	4	Shock absorber	NR	1 40 69 06	1 40 69 06
12.	16	Nut with washer	AISI 304	2 40 045 50	2 50 045 50
13.	1	Air valve	PET/NBR	1 40 020 31	1 40 020 31
			PET/FPM	1 40 020 32	1 40 020 32
14.	1	Shaft	AISI 304	1 40 40 50	1 50 40 50
15.	6	O-ring	NBR	1 40 87 10	1 40 87 10
			FPM	1 40 87 09	1 40 87 09
16.	2	Center housing seal	PE	1 40 85 22	1 50 85 22
17.	1	Muffler	PE	1 40 99 20	1 40 99 20
			BZ	1 40 99 86	1 40 99 86
18.	1	Air adapter	PET	1 40 46 25	1 40 46 25
22.	4	Valve seat	PE	2 40 54 20	2 50 54 20
			PTFE	2 40 54 23	2 50 54 23
			PE conductive	2 40 54 21	2 50 54 21
			PTFE conductive	2 40 54 24	2 50 54 24
24.	2	Plug lower	PE	2 40 59 20	2 50 59 20
			PTFE	2 40 59 23	2 50 59 23
			PE conductive	2 40 59 21	2 50 59 21
			PTFE conductive	2 40 59 24	2 50 59 24
25.	2	Plug upper	PE	2 40 055 20	2 50 055 20
			PTFE	2 40 055 23	2 50 055 23
			PE conductive	2 40 055 21	2 50 055 21
			PTFE conductive	2 40 055 24	2 50 055 24
26.	2	Valve stopper	PE	2 40 39 20	2 50 39 20
			PTFE	2 40 39 23	2 50 39 23
			PE conductive	2 40 39 21	2 50 39 21
			PTFE conductive	2 40 39 24	2 50 39 24
27.	2	Bolt	PE	2 40 38 20	2 50 38 20
			PTFE	2 40 38 23	2 50 38 23
			PE conductive	2 40 38 21	2 50 38 21
			PTFE conductive	2 40 38 24	2 50 38 24
28.	2	Plug upper sealing	FEP/FPM	2 40 78 04	2 50 78 04
			EPDM	2 40 78 08	2 50 78 08
30.	2	O-ring for center housing seal	NBR	1 40 85 10	1 50 85 10
35.	1	Center housing complete	PE	1 40 11 20	1 50 11 20
70.	16	Pump housing plug	PE	2 40 058 20	2 50 058 20