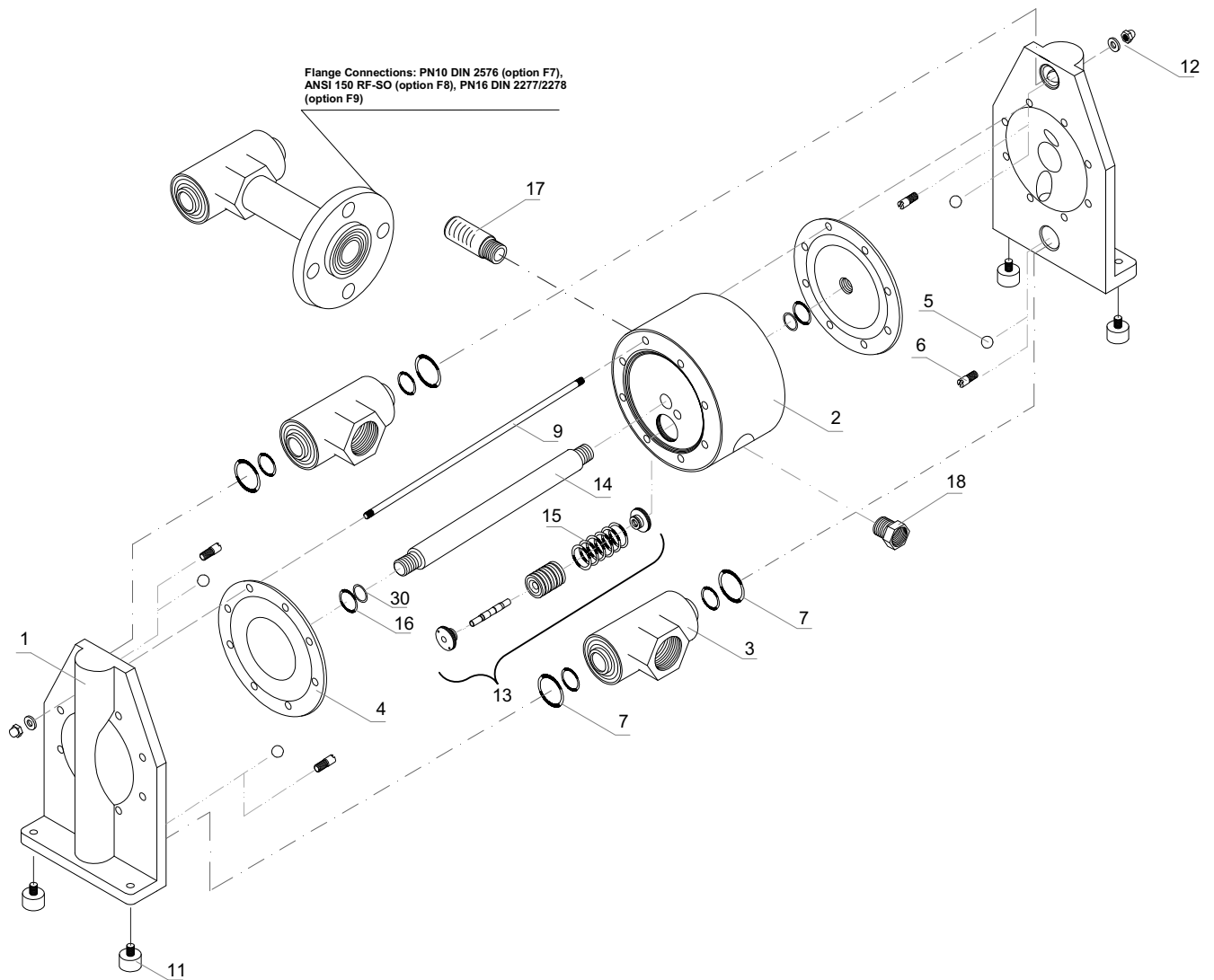


5.3. DM 40/315, DM 50/565



P.H.A. sas

14 Z.A. LES PIBOULES
84300 LES TAILLADES
FRANCE

TEL. 04.90.78.19.99

FAX 04.90.78.09.00

E-Mail : contact@pha.fr

Spare parts list for DM 40/315 and DM 50/565 pumps

			MATERIAL	DM 40/315	DM 50/565
1.	2	Pump housing	Al	3 40 01 60	3 50 01 60
			Al+PTFE	3 40 01 61	3 50 01 61
		Pump housing (back flushing)	Al	3 40 301 60	3 50 301 60
		Pump housing	AISI 316	3 40 01 52	3 50 01 52
		Pump housing (back flushing)	AISI 316	3 40 301 52	3 50 301 52
		Pump housing	Cast iron	3 40 01 65	3 50 01 65
2.	1	Center housing	PP	1 40 10 28	1 50 10 28
			PE conductive	1 40 10 21	1 50 10 21
			Al	1 40 10 60	1 50 10 60
3.	2	Suction/Discharge ports	Al	3 40 30 60	3 50 30 60
			AISI 316	3 40 30 52	3 50 30 52
			Cast iron	3 40 30 65	3 50 30 65
		Suction/Discharge ports-twin	Al	3 40 31 60	-
4.	2	Diaphragm	TFM (PTFE)	1 40 50 05	1 50 50 05
			EPDM	1 40 50 08	1 50 50 08
			NBR	1 40 50 10	1 50 50 10
5.	4	Valve balls	PTFE	1 40 60 23	1 50 60 23
			EPDM	1 40 60 08	1 50 60 08
			NBR	1 40 60 10	1 50 60 10
			AISI 316	1 40 60 52	1 50 60 52
			Polyurethane	1 40 60 07	1 50 60 07
6.	4	Valve ball stopper	AISI 304	3 40 39 50	3 50 39 50
			AISI 316	3 40 39 52	3 50 39 52
7.	4	Sealing inlet/outlet – cpl.	NBR	3 40 70 10	3 50 70 10
			EPDM	3 40 70 08	3 50 70 08
			FEP/FPM	3 40 70 04	3 50 70 04
9.	8	Housing bolt	AISI 304	3 40 42 50	3 50 42 50
11.	4	Shock absorber	NR/steel	1 25 69 06	1 40 69 06
			NR/SS	1 25 69 52	1 40 69 52
12.	16	Nut with washer	AISI 304	1 40 45 59	1 50 45 59
13.	1	Air valve	PET/NBR	1 40 020 31	1 40 020 31
			PET/FPM	1 40 020 32	1 40 020 32
14.	1	Shaft	AISI 304	1 40 40 50	1 50 40 50
15.	6	O-ring	NBR	1 40 87 10	1 40 87 10
			FPM	1 40 87 09	1 40 87 09
16.	2	Center housing seal	PE	1 40 85 22	1 50 85 22
17.	1	Muffler	PE	1 40 99 20	1 40 99 20
			BZ	1 40 99 86	1 40 99 86
18.	1	Air adapter	PET	1 40 46 25	1 40 46 25
30.	2	O-ring for center housing seal	NBR	1 40 85 10	1 50 85 10
35.	1	Center housing complete	PP	1 40 11 28	1 50 11 28

P.H.A. sas

14 Z.A. LES PIBOULES
84300 LES TAILLADES
FRANCE

TEL. 04.90.78.19.99

FAX 04.90.78.09.00

E-Mail : contact@pha.fr