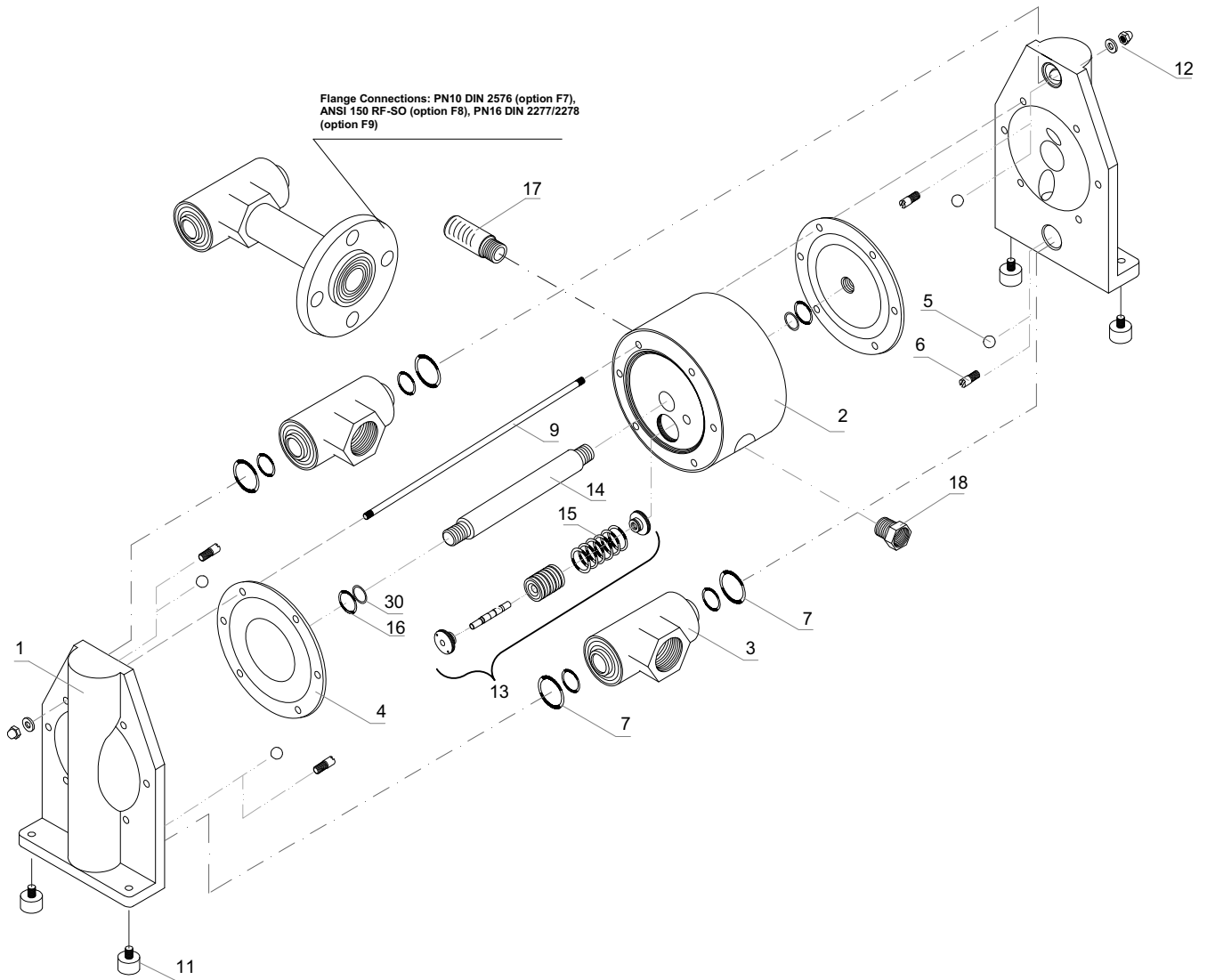


## 5.2. DM 20/75, DM 25/125



**P.H.A.** sas

14 Z.A. LES PIBOULES  
84300 LES TAILLADES  
FRANCE

TEL. 04.90.78.19.99

FAX 04.90.78.09.00

E-Mail : [contact@pha.fr](mailto:contact@pha.fr)

### Spare parts list for DM 20/75 and DM 25/125 pumps

			MATERIAL	DM 20/75	DM 25/125
1.	2	Pump housing	Al	3 20 01 60	3 25 01 60
			Al+PTFE	3 20 01 61	3 25 01 61
		Pump housing (back flushing)	Al	3 20 301 60	3 25 301 60
		Pump housing	AISI 316	3 20 01 52	3 25 01 52
		Pump housing (back flushing)	AISI 316	3 20 301 52	3 25 301 52
		Pump housing	Cast iron	3 20 01 65	3 25 01 65
2.	1	Center housing	PP	1 15 10 28	1 25 10 28
			PE conductive	1 15 10 21	1 25 10 21
			Al	1 15 10 60	1 25 10 60
3.	2	Suction/Discharge ports	Al	3 20 30 60	3 25 30 60
			AISI 316	1 15 30 52	1 25 30 52
			Cast iron	3 20 30 65	3 25 30 65
		Suction/Discharge ports-twin	Al	3 20 31 60	3 25 31 60
	1	Suction port-drum	Al	3 20 33 60	3 25 33 60
4.	2	Diaphragm	TFM (PTFE)	1 15 50 05	1 25 50 05
			EPDM	1 15 50 08	1 25 50 08
			NBR	1 15 50 10	1 25 50 10
5.	4	Valve balls	PTFE	1 15 60 23	1 25 60 23
			EPDM	1 15 60 08	1 25 60 08
			NBR	1 15 60 10	1 25 60 10
			AISI 316	1 15 60 52	1 25 60 52
			Polyurethane	1 15 60 07	1 25 60 07
			Ceramic	1 15 60 90	1 25 60 90
6.	4	Valve ball stopper	AISI 304	3 20 39 50	3 25 39 50
			AISI 316	3 20 39 52	3 25 39 52
7.	4	Sealing inlet/outlet – cpl.	NBR	3 20 70 10	3 25 70 10
			EPDM	3 20 70 08	3 25 70 08
			FEP/FPM	3 20 70 04	3 25 70 04
9.	6	Housing bolt	AISI 304	3 20 42 50	3 25 42 50
11.	4	Shock absorber	NR/steel	1 15 69 06	1 25 69 06
			NR/SS	1 15 69 52	1 25 69 52
12.	12	Nut with washer	AISI 304	1 15 45 59	1 25 45 59
13.	1	Air valve	PET/NBR	1 15 020 31	1 15 020 31
			PET/FPM	1 15 020 32	1 15 020 32
14.	1	Shaft	AISI 304	1 15 40 50	1 25 40 50
15.	6	O-ring	NBR	1 15 080 10	1 15 080 10
			FPM	1 15 080 09	1 15 080 09
16.	2	Center housing seal	PE	1 15 85 22	1 25 85 22
17.	1	Muffler	PE	1 08 99 20	1 08 99 20
			BZ	1 08 99 86	1 08 99 86
18.	1	Air adapter	PET	1 15 46 25	1 15 46 25
20.	1	Tube	PP	1 15 96 28	1 25 96 28
			Al	1 15 96 60	1 25 96 60
			AISI 316	1 15 96 52	1 25 96 52
30.	2	O-ring for center housing seal	NBR	1 15 85 10	1 25 85 10
35.	1	Center housing complete	PP	1 15 11 28	1 25 11 28

**P.H.A.** sas

14 Z.A. LES PIBOULES  
84300 LES TAILLADES  
FRANCE

TEL. 04.90.78.19.99

FAX 04.90.78.09.00

E-Mail : contact@pha.fr