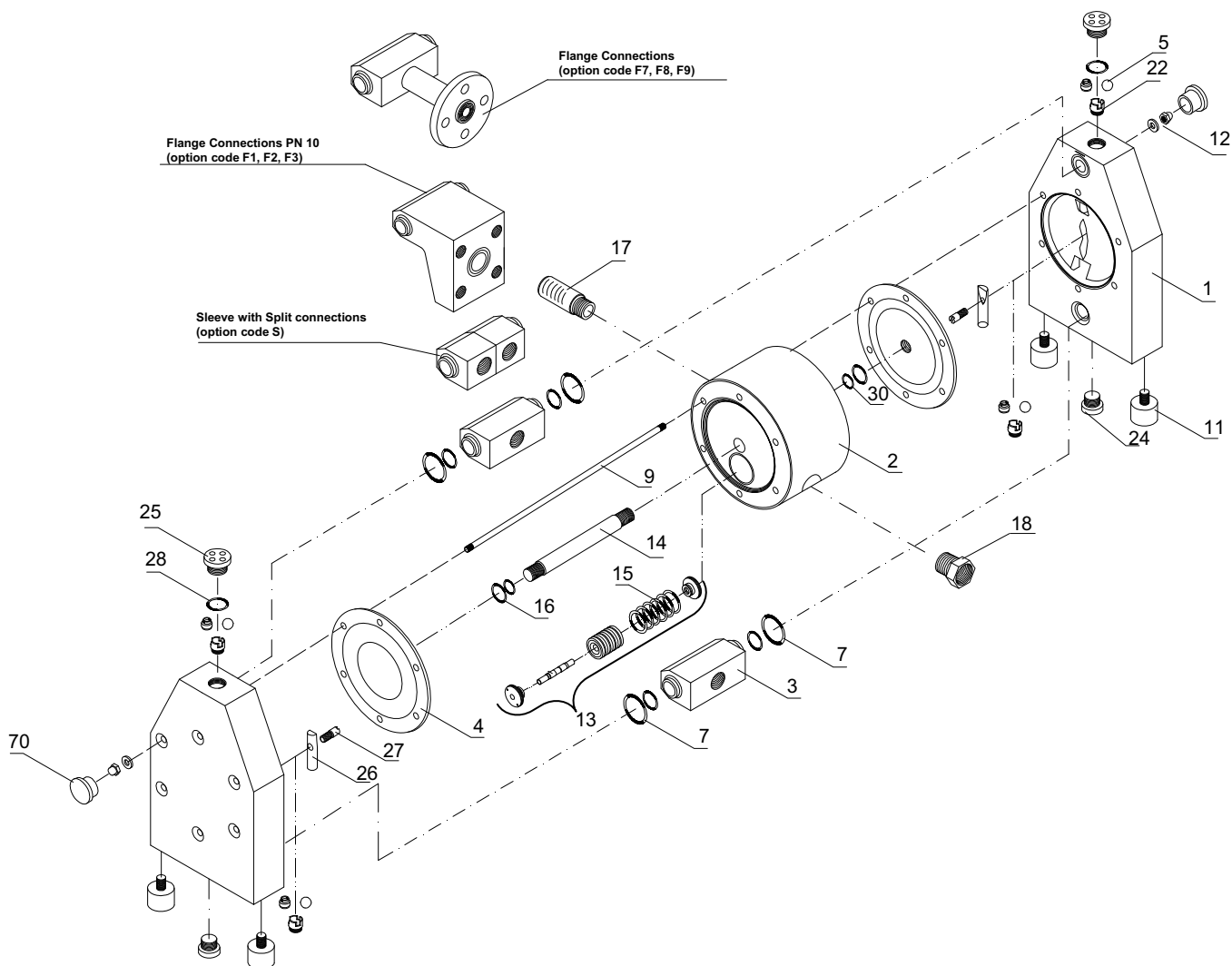


5.2. DM 15/55, DM 25/125



P.H.A. sas

14 Z.A. LES PIBOULES
 84300 LES TAILLADES
 FRANCE
 TEL. 04.90.78.19.99
 FAX 04.90.78.09.00
 E-Mail : contact@pha.fr

Spare parts list for DM 15/55 and DM 25/125 pumps

				DM 15/55	DM 25/125
1.	2	Pump housing	PE	2 15 001 20	2 25 001 20
			PE conductive	2 15 001 21	2 25 001 21
			PTFE	2 15 001 23	2 25 001 23
			PTFE conductive	2 15 001 24	2 25 001 24
2.	1	Center housing	PE	1 15 10 20	1 25 10 20
			PE conductive	1 15 10 21	1 25 10 21
3.	2	Suction/Discharge ports	PE	2 15 30 20	2 25 30 20
			PE conductive	2 15 30 21	2 25 30 21
			PTFE	2 15 30 23	2 25 30 23
			PTFE conductive	2 15 30 24	2 25 30 24
			AISI 316L	2 15 35 53	2 25 35 53
	2	Suction/Discharge ports-twin	PE	2 15 31 20	2 25 31 20
	1	Suction port-drum	PE	2 15 33 20	2 25 33 20
		Suction port-drum	PTFE	2 15 33 23	2 25 33 23
4.	2	Diaphragm	TFM (PTFE)	1 15 50 05	1 25 50 05
			EPDM	1 15 50 08	1 25 50 08
			NBR	1 15 50 10	1 25 50 10
5.	4	Cylinder valves	PE	2 15 56 20	2 25 56 20
			PTFE	2 15 56 23	2 25 56 23
			PE conductive	2 15 56 21	2 25 56 21
			PTFE conductive	2 15 56 24	2 25 56 24
	4	Valve balls	PTFE	1 15 60 23	1 25 60 23
			EPDM	1 15 60 08	1 25 60 08
			NBR	1 15 60 10	1 25 60 10
			AISI 316	1 15 60 52	1 25 60 52
			Polyurethane	1 15 60 07	1 25 60 07
			Ceramic	1 15 60 90	1 25 60 90
7.	4	Sealing inlet/outlet	FEP/FPM	2 15 70 04	-
			EPDM	2 15 70 08	2 25 70 08
			PTFE/FPM	-	2 25 73 14
			PTFE/EPDM	-	2 25 73 15
			PTFE-c./FPM	-	2 25 73 16
			PTFE-c./EPDM	-	2 25 73 17
9.	6	Housing bolt	AISI 304	2 15 042 50	2 25 042 50
11.	4	Shock absorber	NR	1 15 69 06	1 25 69 06
12.	12	Nut with washer	AISI 304	2 15 045 50	2 25 045 50
13.	1	Air valve	PET/NBR	1 15 020 31	1 15 020 31
			PET/FPM	1 15 020 32	1 15 020 32
14.	1	Shaft	AISI 304	1 15 40 50	1 25 40 50
15.	6	O-ring	NBR	1 15 080 10	1 15 080 10
			FPM	1 15 080 09	1 15 080 09
16.	2	Center housing seal	PE	1 15 85 22	1 25 85 22
17.	1	Muffler	PE	1 08 99 20	1 08 99 20
			BZ	1 08 99 86	1 08 99 86
18.	1	Air adapter	PET	1 15 46 25	1 15 46 25
19.	1	Handle	AISI 304	3 15 98 50	3 25 98 50
20.	1	Tube	PP	1 15 96 28	1 25 96 28
			PTFE	1 15 96 23	1 25 96 23
22.	4	Valve seat	PE	2 15 54 20	2 25 54 20
			PTFE	2 15 54 23	2 25 54 23
			PE conductive	2 15 54 21	2 25 54 21
			PTFE conductive	2 15 54 24	2 25 54 24
24.	2	Plug lower	PE	2 15 59 20	2 25 59 20
			PTFE	2 15 59 23	2 25 59 23
			PE conductive	2 15 59 21	2 25 59 21
			PTFE conductive	2 15 59 24	2 25 59 24
25.	2	Plug upper	PE	2 15 055 20	2 25 055 20
			PTFE	2 15 055 23	2 25 055 23
			PE conductive	2 15 055 21	2 25 055 21
			PTFE conductive	2 15 055 24	2 25 055 24
26.	2	Valve stopper	PE	2 15 39 20	2 25 39 20
			PTFE	2 15 39 23	2 25 39 23
			PE conductive	2 15 39 21	2 25 39 21
			PTFE conductive	2 15 39 24	2 25 39 24
27.	2	Bolt	PE	2 15 38 20	2 25 38 20
			PTFE	2 15 38 23	2 25 38 23
			PE conductive	2 15 38 21	2 25 38 21
			PTFE conductive	2 15 38 24	2 25 38 24
28.	2	Plug upper sealing	FEP/FPM	2 15 78 04	2 25 78 04
			EPDM	2 15 78 08	2 25 78 08
30.	2/4	O-ring for center housing seal	NBR	1 15 85 10	1 25 85 10
35.	1	Center housing complete	PE	1 15 11 20	1 25 11 20
70.	12	Pump housing plug	PE	2 15 058 20	2 25 058 20

P.H.A. sas

14 Z.A. LES PIBOULES
84300 LES TAILLADES
FRANCE
TEL. 04.90.78.19.99
FAX 04.90.78.09.00
E-Mail : contact@pha.fr