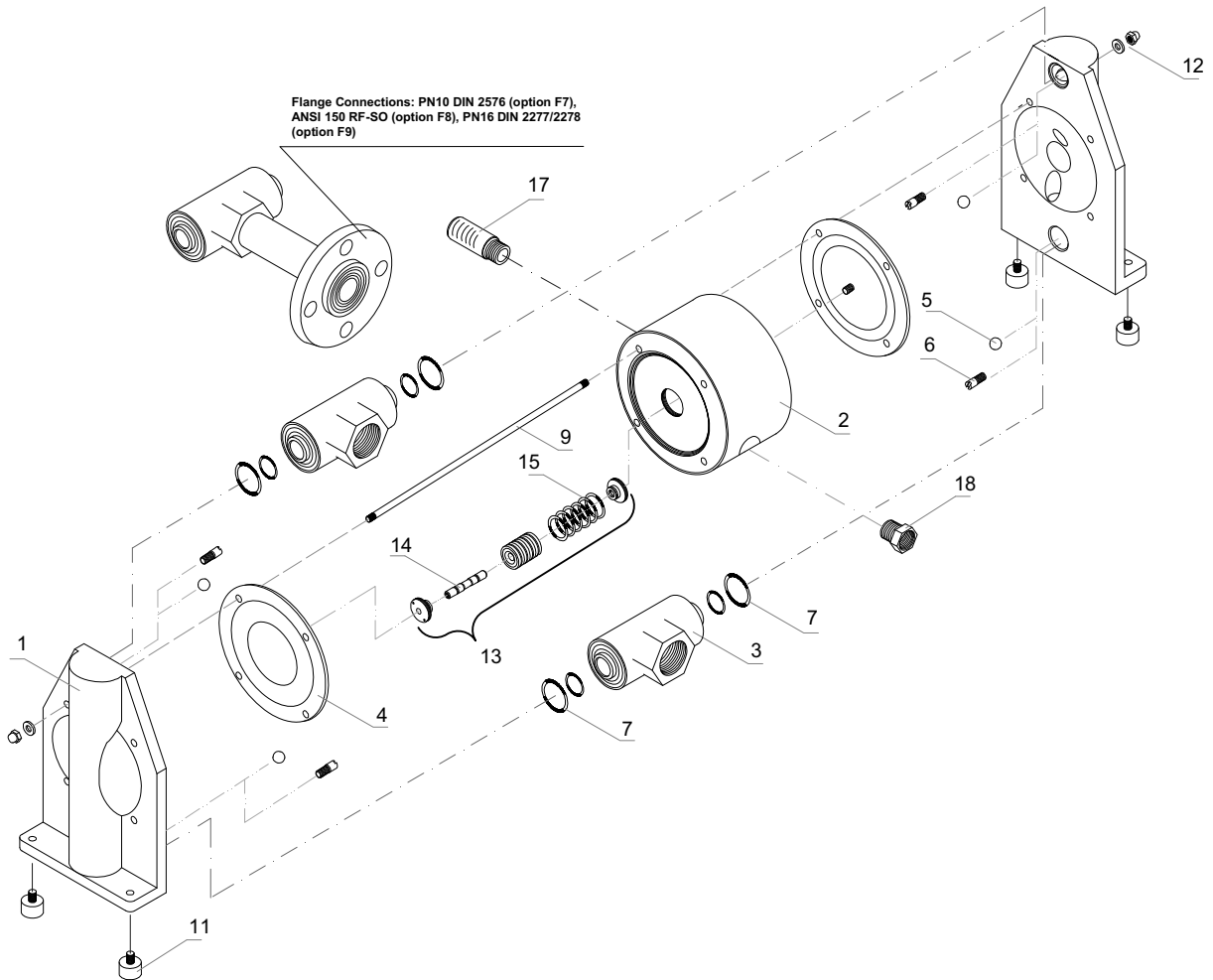


5. Names of parts and materials

5.1. DM 15/25



P.H.A. sas

14 Z.A. LES PIBOULES
84300 LES TAILLADES
FRANCE

TEL. 04.90.78.19.99

FAX 04.90.78.09.00

E-Mail : contact@pha.fr

Spare parts list for DM 15/25 pumps

			MATERIAL	DM 15/25
1.	2	Pump housing	Al	3 15 01 60
			Al+PTFE	3 15 01 61
			AISI 316	3 15 01 52
			Cast iron	3 15 01 65
2.	1	Center housing	PP	1 10 10 28
			PE conductive	1 10 10 21
3.	2	Suction/Discharge ports	Al	3 15 30 60
			AISI 316	1 10 30 53
			Cast iron	3 15 30 65
		Suction/Discharge ports-twin	Al	3 15 31 60
	1	Suction port-drum	Al	3 15 33 60
4.	2	Diaphragm	TFM (PTFE)	1 10 50 05
			EPDM	1 10 50 08
			NBR	1 10 50 10
5.	4	Valve balls	PTFE	1 10 60 23
			EPDM	1 10 60 08
			NBR	1 10 60 10
			AISI 316	1 10 60 52
			PU	1 10 60 07
			Ceramic	1 10 60 90
6.	4	Valve ball stopper	AISI 304	3 15 39 50
			AISI 316	3 15 39 52
7.	4	Sealing inlet/outlet – cpl.	NBR	3 15 70 10
			EPDM	3 15 70 08
			FEP/FPM	3 15 70 04
9.	4	Housing bolt	AISI 304	3 15 42 50
11.	4	Shock absorber	NR/steel	1 10 69 06
12.	8	Nut with washer	AISI 304	1 10 45 59
13.	1	Air valve	PET/NBR	1 08 020 31
			PET/FPM	1 08 020 32
14.	1	Shaft	AISI 304	1 08 24 50
15.	6	O-ring	NBR	1 08 080 10
			FPM	1 08 080 09
17.	1	Muffler	PE	1 08 99 20
			BZ	1 08 99 86
18.	1	Air adapter	PET	1 15 46 25
20.	1	Tube	PP	1 10 96 28
			Al	1 10 96 60
			AISI 316	1 10 96 52
35.	1	Center housing complete	PP	1 10 11 28

P.H.A. sas

14 Z.A. LES PIBOULES
84300 LES TAILLADES
FRANCE

TEL. 04.90.78.19.99

FAX 04.90.78.09.00

E-Mail : contact@pha.fr