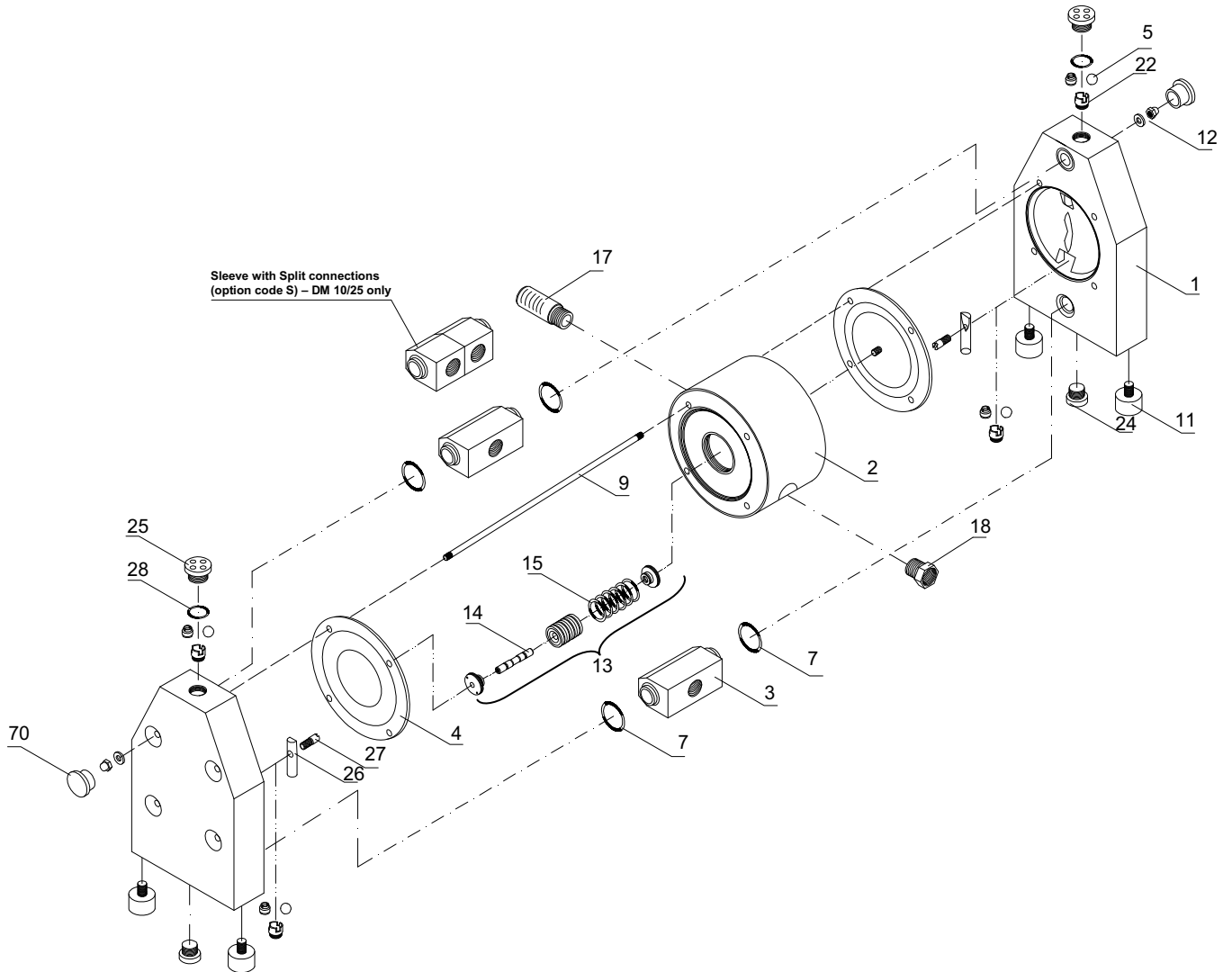


5. Names of parts and materials

5.1. DM 08/10, DM 10/25



P.H.A. sas

14 Z.A. LES PIBOULES
84300 LES TAILLADES
FRANCE

TEL. 04.90.78.19.99

FAX 04.90.78.09.00

E-Mail : contact@pha.fr

Spare parts list for DM 08/10 and DM 10/25 pumps

				DM 08/10	DM 10/25
1.	2	Pump housing	PE	2 08 001 20	2 10 001 20
			PE conductive	2 08 001 21	2 10 001 21
			PTFE	2 08 001 23	2 10 001 23
			PTFE conductive	2 08 001 24	2 10 001 24
2.	1	Center housing	PE	1 08 10 20	1 10 10 20
			PE conductive	1 08 10 21	1 10 10 21
3.	2	Suction/Discharge ports	PE	2 08 30 20	2 10 30 20
			PE conductive	2 08 30 21	2 10 30 21
			PTFE	2 08 30 23	2 10 30 23
			PTFE conductive	2 08 30 24	2 10 30 24
			AISI 316L	2 08 35 53	2 10 35 53
		Suction/Discharge ports-twin	PE	-	2 10 31 20
	1	Suction port-drum	PE	2 08 33 20	2 10 33 20
4.	2	Diaphragm	TFM (PTFE)	1 08 50 05	1 10 50 05
			EPDM	-	1 10 50 08
			NBR	-	1 10 50 10
5.	4	Cylinder valves	PE	2 08 56 20	2 10 56 20
			PTFE	2 08 56 23	2 10 56 23
			PE conductive	2 08 56 21	2 10 56 21
			PTFE conductive	2 08 56 24	2 10 56 24
	4	Valve balls	PTFE	1 08 60 23	1 10 60 23
			EPDM	-	1 10 60 08
			NBR	-	1 10 60 10
			AISI 316	1 08 60 52	1 10 60 52
			Ceramic	-	1 10 60 90
			Polyurethane	-	1 10 60 07
7.	4	Sealing inlet/outlet	FEP/FPM	2 08 70 04	2 10 70 04
9.	4	Housing bolt	AISI 304	2 08 042 50	2 10 042 50
11.	4	Shock absorber	NR	1 08 69 06	1 08 69 06
12.	8	Nut with washer	AISI 304	2 08 045 50	2 10 045 50
13.	1	Air valve	PET/NBR	1 08 020 31	1 08 020 31
			PET/FPM	1 08 020 32	1 08 020 32
14.	1	Shaft	AISI 304	1 08 24 50	1 08 24 50
15.	6	O-ring	NBR	1 08 080 10	1 08 080 10
			FPM	1 08 080 09	1 08 080 09
17.	1	Muffler	PE	1 08 99 20	1 08 99 20
			BZ	1 08 99 86	1 08 99 86
18.	1	Air adapter	PET	1 08 46 25	1 08 46 25
19.	1	Handle	AISI 304	3 08 98 50	3 10 98 50
20.	1	Tube	PP	1 08 96 28	1 10 96 28
			PTFE	1 08 96 23	1 10 96 23
22.	4	Valve seat	PE	2 08 54 20	2 10 54 20
			PTFE	2 08 54 23	2 10 54 23
			PE conductive	2 08 54 21	2 10 54 21
			PTFE conductive	2 08 54 24	2 10 54 24
24.	2	Plug lower	PE	2 08 59 20	2 10 59 20
			PTFE	2 08 59 23	2 10 59 23
			PE conductive	2 08 59 21	2 10 59 21
			PTFE conductive	2 08 59 24	2 10 59 24
25.	2	Plug upper	PE	2 08 055 20	2 10 055 20
			PTFE	2 08 055 23	2 10 055 23
			PE conductive	2 08 055 21	2 10 055 21
			PTFE conductive	2 08 055 24	2 10 055 24
26.	2	Valve stopper	PE	2 08 39 20	2 10 39 20
			PTFE	2 08 39 23	2 10 39 23
			PE conductive	2 08 39 21	2 10 39 21
			PTFE conductive	2 08 39 24	2 10 39 24
27.	2	Bolt	PE	2 08 38 20	2 10 38 20
			PTFE	2 08 38 23	2 10 38 23
			PE conductive	2 08 38 21	2 10 38 21
			PTFE conductive	2 08 38 24	2 10 38 24
28.	2	Plug upper sealing	FEP/FPM	2 08 78 04	2 10 78 04
			EPDM	-	2 10 78 08
35.	1	Center housing complete	PE	1 08 11 20	1 10 11 20
70.	8	Pump housing plug	PE	2 08 058 20	2 10 058 20