

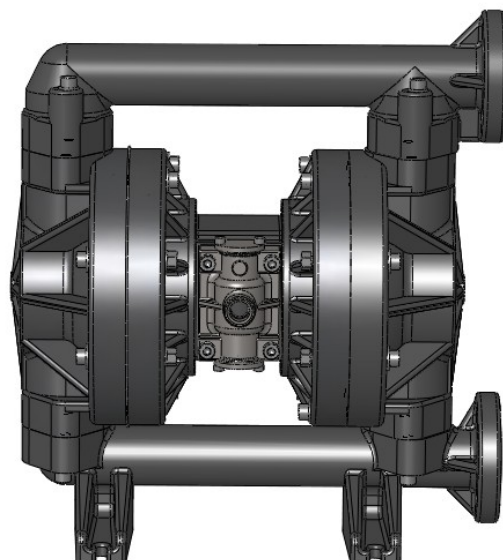
SERVICE & OPERATING MANUAL

AIR OPERATED DOUBLE DIAPHRAGM PUMP

B25 & X25

**Moulded
Non-Metallic 05 Series**

**This pump is Atex approved for use
in potentially explosive atmospheres
Group II category 2**



P.H.A. sas

14 Z.A. LES PIBOULES
84300 LES TAILLADES
FRANCE
TEL. 04.90.78.19.99
FAX 04.90.78.09.00
E-Mail : contact@pha.fr



CE
II 2 GD c

PARTS LIST

REF No.	PART NUMBER			DESCRIPTION	QTY
	POLYPROPYLENE / COMMON	COND. POLY.	PVDF		
1	D488			SOCKET HEAD CAP SCREW M8 x 70	4
2	C044			WASHER M8	32
3	25-003	25-220	25-037	DISCHARGE MANIFOLD	1
3	25-031	25-229	25-043	DISCHARGE MANIFOLD - TAPPED 1" BSP ■	1
4	SEE TABLE			VALVE BALL ◆	4
5	25-007	25-236	25-038	VALVE SEAT ◆	4
6	SEE TABLE	G548		O-RING - MANIFOLD SEE NOTE ◆	4
7	B043			HEX. PLAIN NUT M8	8
8	40-205			VALVE CHEST 40-209 †	1
9	G243			O-RING – AIR PASSAGE □	2
10	G339			O-RING - COVER SCREW □	8
11	D378			SOCKET HEAD CAP SCREW M8 x 45	12
12	G242			O-RING - VALVE CHEST □	2
13	25-066	25-218		INNER COVER	2
14	25-001	25-217	25-034	OUTER COVER	2
15	25-002		25-035	FRONTPLATE ASSY	2
16	G229			O-RING - DIAPHRAGM ◆	2
17	SEE TABLE			DIAPHRAGM ◆	2
18	25-014			SUPPORT DIAPHRAGM ◆	2
19	1A007			BACKPLATE	2
20	25-060			DIAPHRAGM SHAFT	1
21	D267			SOCKET HEAD CAP SCREW M8 x 40	4
22	C173			SPRING WASHER M8	4
23	40-192			VALVE CARRIER ●	1
24	40-266			VALVE BLOCK PLUG ●	2
25	D391			SOCKET CAP SCREW M5 x 14 ●	4
26	G512			O-RING □●	2
27	40-264			VALVE BLOCK ●	1
28	40-004			SLIDE VALVE	1
29	40-005			VALVE PLATE	1
30	40-204			GASKET □	1
31	25-004	25-219	25-036	SUCTION MANIFOLD	1
31	25-030	25-228	25-042	SUCTION MANIFOLD—TAPPED 1" BSP ■	1
32	D379			SOCKET HEAD CAP SCREW M8 x 75	8
33	D310			SOCKET HEAD CAP SCREW M8 x 25	8
34	40-047	40-240		SILENCER	1

PARTS LIST - cont'd

REF No.	PART NUMBER COMMON	DESCRIPTION	QTY
35	25-091	LIP SEAL – DIAPHRAGM SHAFT □	6
36	25-089	DIAPHRAGM SHAFT BUSH	2
37	G189	O-RING – SHAFT BUSH □	2
38	G245	O-RING – SHAFT BUSH □	2
39	G367	O-RING - SHAFT BUSH □	2
40	G471	O-RING - CONDUCTIVE VALVE SEAT ◆	4
41	G552	O-RING - CONDUCTIVE VALVE SEAT ◆	4

- ◆ - These items are available in a recommended spares kit. Please refer to your local stockist / distributor for details.
 - - These items are available in a recommended spares kit - ASK2505 - Air side Kit. Lube free Air side Kit - ASK2505-LF
 - - These items can be ordered as Sub-Assy SA10585
 - † - These items should be used when using pumps with code - 25 - ?W - BB - ???
 - - These items are threaded 1" BSP options.
- NOTE** - When using rubber valve seats (2), item (9) o-ring is not required.
- Santoprene is a registered tradename of Monsanto
- NOTE!** For additional Atex parts see page 7

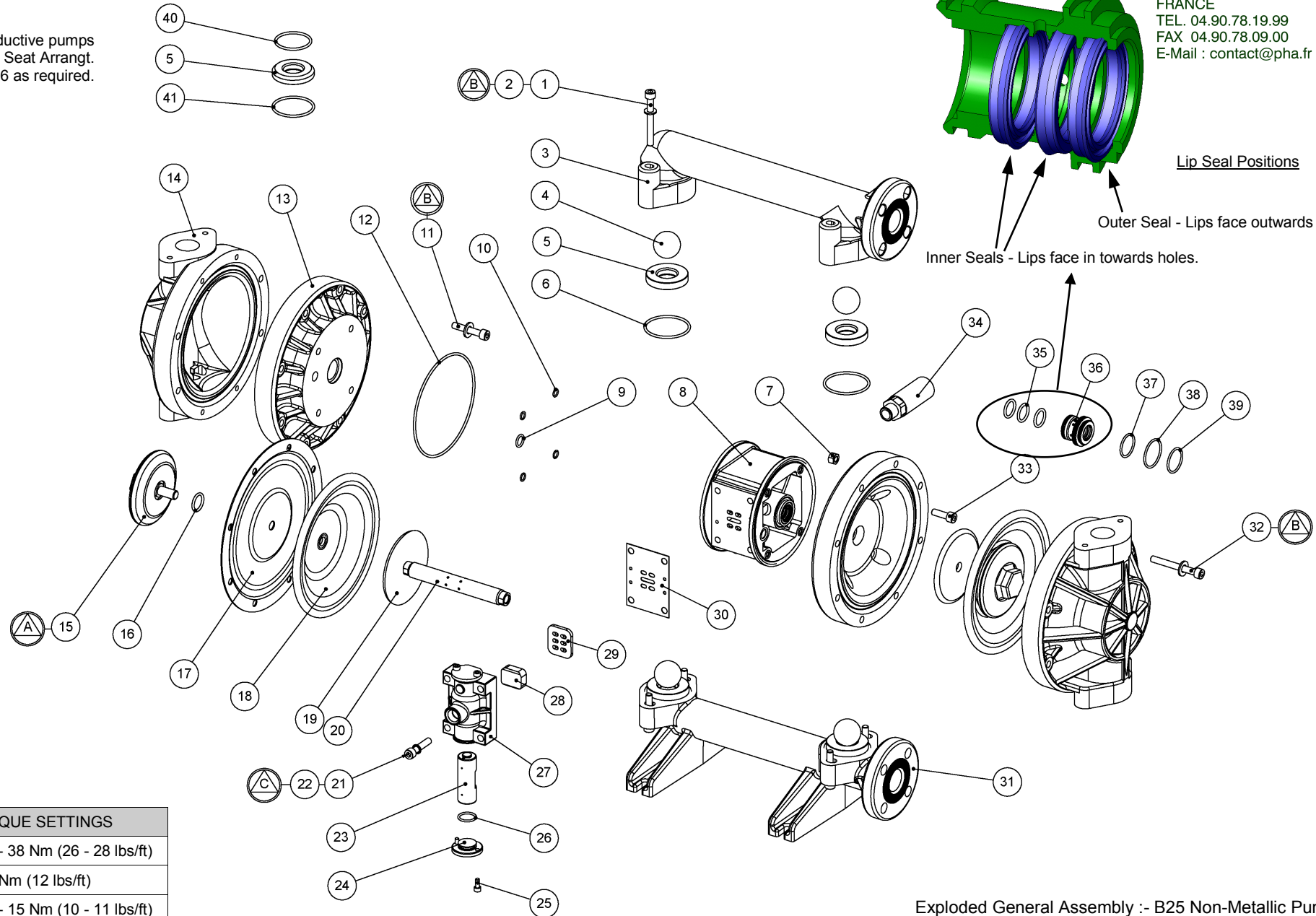
ELASTOMER TABLE

REF No.	DESCRIPTION	PTFE	EPDM	VITON	BUNA-N	NEOPRENE	QTY
5	VALVE SEAT	-	25-009	25-010	25-011	25-029	4
4	VALVE BALL	1A002	1A080	1A081	1A049	1A079	4
4	VALVE BALL - (WTD)	-	1A092	1A093	1A072	1A091	4
17	DIAPHRAGM	25-016	25-012	25-013	25-014	25-023	2
6	O-RING - MANIFOLD	G431	G069	G070	G068	G067	4

ELASTOMER TABLE

REF No.	DESCRIPTION	PTFE ONE-PIECE	POLYESTER	SANTOPRENE®	QTY
5	VALVE SEAT	-	-	-	-
4	VALVE BALL	-	-	-	-
4	VALVE BALL - (WTD)	-	-	-	-
17	DIAPHRAGM	25-071	25-015	25-045	2
6	O-RING - MANIFOLD	G431	-	-	4

Conductive pumps
Valve Seat Arrangt.
Inc. Item 6 as required.



TORQUE SETTINGS	
A	35 - 38 Nm (26 - 28 lbs/ft)
B	16 Nm (12 lbs/ft)
C	14 - 15 Nm (10 - 11 lbs/ft)

Exploded General Assembly :- B25 Non-Metallic Pump
Refer to page 10, Parts List table for Item Ref. Nos.