

SERVICE & OPERATING MANUAL AIR OPERATED DOUBLE DIAPHRAGM PUMP

B25 & X25

03 Metallic Series

This pump is Atex approved for use
in potentially explosive atmospheres
Group II category 2



P.H.A. sas

14 Z.A. LES PIBOULES
84300 LES TAILLADES
FRANCE
TEL. 04.90.78.19.99
FAX 04.90.78.09.00
E-Mail : contact@pha.fr

CE

Ex II 2 GD c



31783

57470

PARTS LIST

HG-CF-1108 Rev. D.20/1106

PART NUMBER WETTED COMPONENTS						
Ref No.	Cast Iron	Stainless Steel	Aluminium / Common	Atex Cat. 2	Description	Qty
1		A180	A005		BOLT - M8 x 35	8
2		C193	C004		WASHER - M8	16
3	25-138	25-140	25-121		DISCHARGE MANIFOLD	1
4			SEE TABLE		O-RING	◆ 8
5			40-047	1A377	SILENCER	1
6	HEAVY DUTY OPTION - 1A205		1A004		VALVE SEAT	4
7	1A075	1A035	1A005		OUTER COVER	2
8		A181	A006		BOLT - M8 x 40	16
9		B179	B003		NUT - M8	24
10			SEE TABLE		VALVE BALL	◆ 4
11	25-137	25-139	25-120		SUCTION MANIFOLD	1
12	-	-	40-113		VALVE CHEST	1
13			40-204		GASKET	❖ □ 1
14			40-005		VALVE PLATE	❖ 1
15			40-004		SLIDE VALVE	❖ 1
16			40-215		VALVE BLOCK	❖ 1
17			H501		CIRCLIP	❖ 2
18			40-207		VALVE BLOCK PLUG	❖ 2
19			G512		O-RING	❖ □ 2
20			40-192		VALVE CARRIER	❖ 1
21			D337		SKT. CAP SCREW - M8 x 40	4
22			C165		SPRING WASHER - M8	4
23			G514		DIA. SHAFT O-RING (SEE NOTE ●) □	6
24			40-194		DIAPHRAGM SHAFT BUSH	2
25			G189		O-RING	□ 2
26			G245		O-RING	□ 2
27			G367		O-RING	□ 2
28			25-160		DIAPHRAGM SHAFT	1
29	SA10104	SA10104	SA10502		FRONTPLATE ASSEMBLY	2
30	SEE PUMPS FITTED WITH PTFE ABOVE !					
31			SEE TABLE		DIAPHRAGM	◆ 2
32	1A007	1A259	1A007		BACKPLATE	2
33			D310		SKT. CAP SCREW - M8 x 25	8
34	-	-	25-182		INNER COVER	2
35			G242		O-RING	□ 2
36			G243		O-RING	□ 2
37			G339		O-RING	□ 8

Page 10

PARTS LIST - cont.

PUMPS FITTED WITH PTFE DIAPHRAGMS			
REF No.	PART NUMBER	DESCRIPTION	QTY
30	1A071	DIAPHRAGM - (PTFE) ◆	2
31	1A089	DIAPHRAGM - (BACK-UP) ◆	2

ELASTOMER TABLE								
REF No.	DESCRIPTION	BUNA-N	EPDM	VITON	NEOPRENE	ONE-PIECE PTFE	ST. STEEL	QTY
4	O-RING - (VALVE SEAT)	G057	G060	G061	G059	-	-	8
10	VALVE BALL	1A049	1A080	1A081	1A079	-	1A197	4
10	VALVE BALL - (WEIGHTED)	1A072	1A092	1A093	1A091	-	-	4
31	DIAPHRAGM	1A006	1A040	1A039	1A057	1A348	-	2

ELASTOMER TABLE - cont.							
REF No.	DESCRIPTION	PTFE	POLYESTER	SANTOPRENE®	DELIRIN (ACETAL)	POLYURETHANE	QTY
4	O-RING - (VALVE SEAT)	G058	-	-	-	-	8
10	VALVE BALL	1A002	-	-	1A050	-	4
10	VALVE BALL - (WEIGHTED)	-	-	-	-	-	4
31	DIAPHRAGM	SEE TABLE	1A061	1A358	-	1A070	2

◆ - These items are available in a recommended wet side spares kit. Please refer to your local stockist / distributor for details.

□ - These items are available in a recommended spares kit - SA10415 - Air side Kit - (All models)

● - All models are Lube Free as standard, -LF options are only required for very dry air, or "clean room" applications.

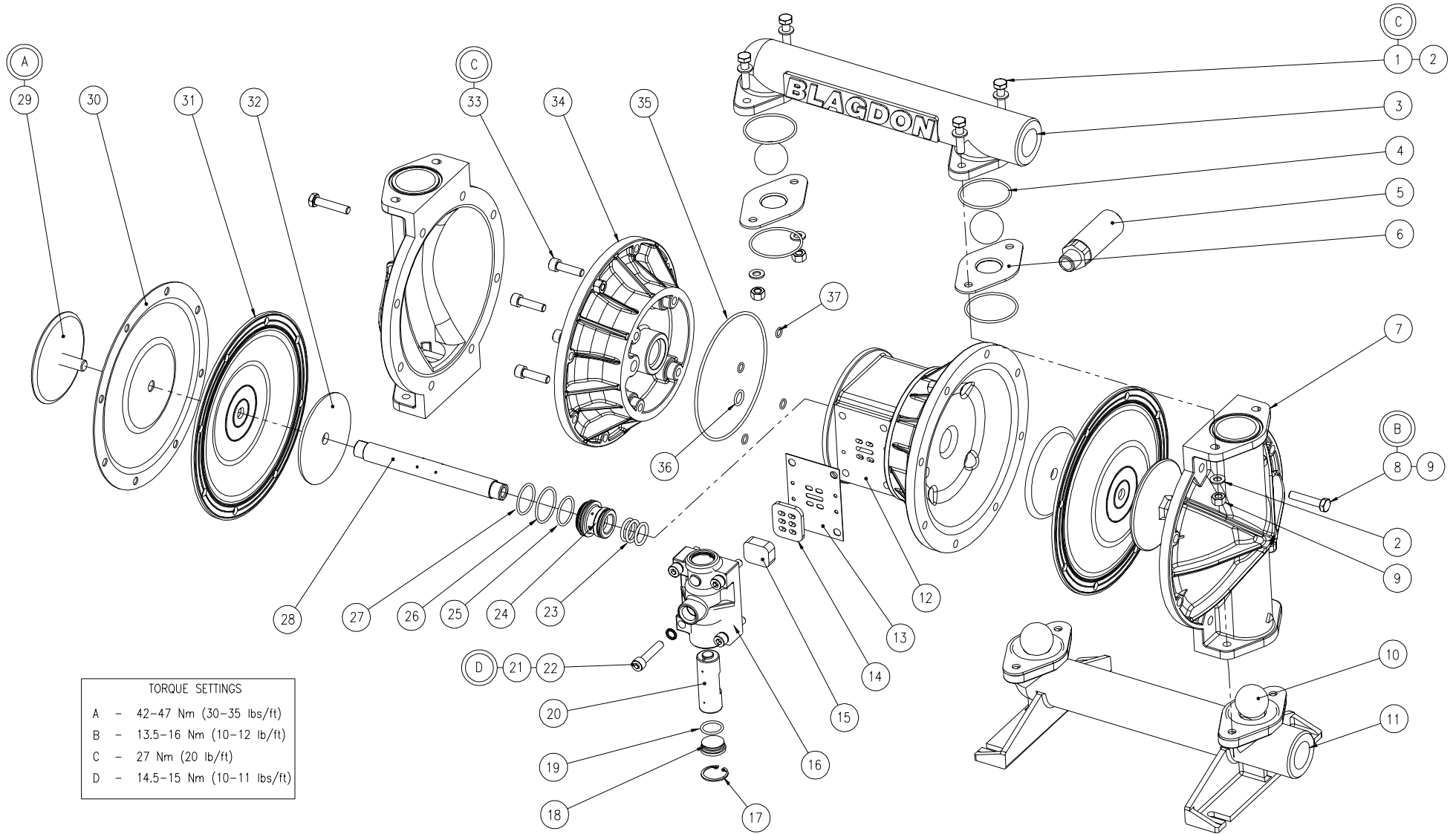
❖ - These items are available as a sub-assembly spare - SA10463 - Valve Block Assembly.

Santoprene is a registered tradename of Monsanto Corp.

NOTE! For additional Atex parts see page 7

P.H.A. sas

14 Z.A. LES PIBOULES
 84300 LES TAILLADES
 FRANCE
 TEL. 04.90.78.19.99
 FAX 04.90.78.09.00
 E-Mail : contact@pha.fr



TORQUE SETTINGS	
A	- 42-47 Nm (30-35 lbs/ft)
B	- 13.5-16 Nm (10-12 lb/ft)
C	- 27 Nm (20 lb/ft)
D	- 14.5-15 Nm (10-11 lbs/ft)