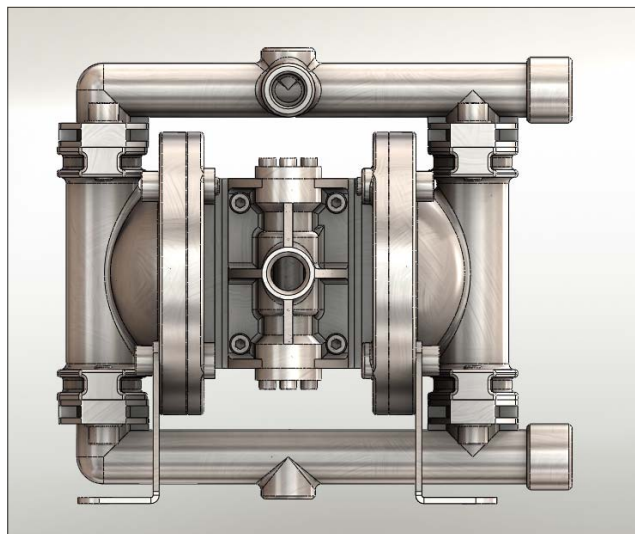


SERVICE & OPERATING MANUAL AIR OPERATED DOUBLE DIAPHRAGM PUMP

B06 & X06

Metallic Models 04 Series

This pump is ATEX approved for use
in potentially explosive atmospheres
Group II category 2



P.H.A. sas

14 Z.A. LES PIBOULES
84300 LES TAILLADES
FRANCE
TEL. 04.90.78.19.99
FAX 04.90.78.09.00
E-Mail : contact@pha.fr



PARTS LIST

REF.	PART No.	DESCRIPTION	QTY
1	D215	SOCKET HEAD CAP SCREW M6 x 20	16
2	C048	WASHER M6	14
3	SEE TABLE	MANIFOLD	2
4	SEE TABLE	O-RING - MANIFOLD	4
5	06-161	BALL CAGE	2
6	SEE TABLE	VALVE BALL - DISCHARGE	2
7	06-163	VALVE SEAT - DISCHARGE	2
8	G259	O-RING - VALVE SEAT	2
9	06-034	SILENCER	1
10	SEE TABLE	DIAPHRAGM	2
11	06-139	OUTER COVER	2
12	06-207	BASE LEG	2
13	06-160	CENTRE SECTION	1
14	06-209	DIAPHRAGM SHAFT LIP SEAL	6
15	06-153	DIAPHRAGM SHAFT BUSH - 'B' (INNER)	2
16	G279	O-RING	2
17	06-210	DIAPHRAGM SHAFT BUSH - 'A' (OUTER)	2
18	G264	O-RING	2
19	H280	CIRCLIP	2
20	SA10160	FRONTPLATE ASSY	2
21	06-141	DIAPHRAGM - PTFE	2
22	06-147	DIAPHRAGM SUPPORT	2
23	06-009	BACKPLATE	2
24	06-132	DIAPHRAGM SHAFT	1
25	D322	SOCKET HEAD CAP SCREW M4 x 10	4
26	06-005	VALVE CARRIER	1
27	G258	O-RING	2
28	06-007	VALVE BLOCK PLUG	2
29	D492	SOCKET HEAD CAP SCREW M3 x 8	6
30	06-097	VALVE BLOCK	1
31	06-004	SLIDE VALVE	1
32	06-003	SLIDE VALVE PLATE	1
33	06-059	PLATE SEAL	1
34	06-002	PORT SEAL	1
35	SEE TABLE	VALVE BALL - SUCTION	2
36	06-142	VALVE SEAT - SUCTION	2

PARTS LIST - cont.

REF No.	PART NUMBER	DESCRIPTION	QTY
THE FOLLOWING PARTS ARE USED ON ATEX CERTIFIED PUMPS (see page 7)			
38	SA10289	GROUNDING LEAD ASSY. M6	1
39	SP467	ATEX I/D TAG	1
40	SP472	TIE-LOK TIE	1

ELASTOMER TABLE

REF No.	DESCRIPTION	POLYESTER	EPDM	VITON	SANTOPRENE®	QTY
10	DIAPHRAGM	06-010	06-070	06-060	06-147	2

ELASTOMER TABLE

REF No.	DESCRIPTION	PTFE	VITON	STAINLESS STEEL	PTFE (ONE-PIECE)	QTY
6	VALVE BALL - DISCHARGE	06-145	06-151	06-146	-	2
35	VALVE BALL - SUCTION	06-108	06-109	06-110	-	2
10	DIAPHRAGM	SEE 21 & 22	-	-	06-174	2

MANIFOLD OPTIONS - MULTI PORTING

REF No.	DESCRIPTION	STANDARD END PORTED	CENTRE PORTED	VERTICAL PORTED	QTY
3	MANIFOLD	06-167	06-211	06-212	2 PER OR MIX AS REQ'D

O-RING TABLE

REF No.	DESCRIPTION	PTFE	VITON	EPDM	QTY
4	O-RING	G256	G336	G333	4

◆ - These items are available in a recommended spares kit. Please refer to your local stockist / distributor for details.

□ - These items are available in a recommended spares kit - ASK0604 - Air side Kit.

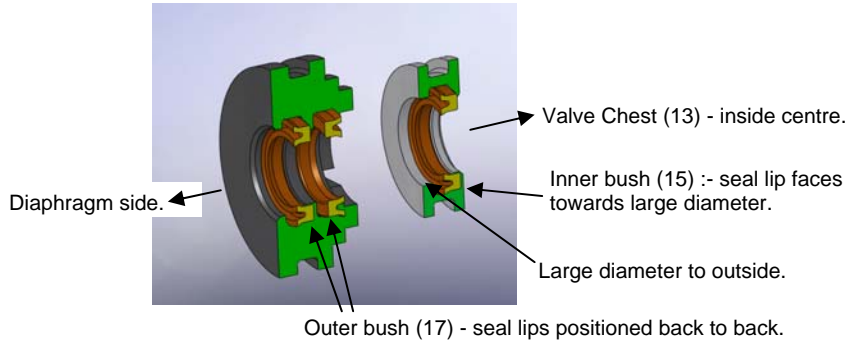
Note ! This kit covers both standard and "Lube Free" models. There is no "dry air" version available for 0604 pumps.

Santoprene is a registered trade name of Monsanto Corp.

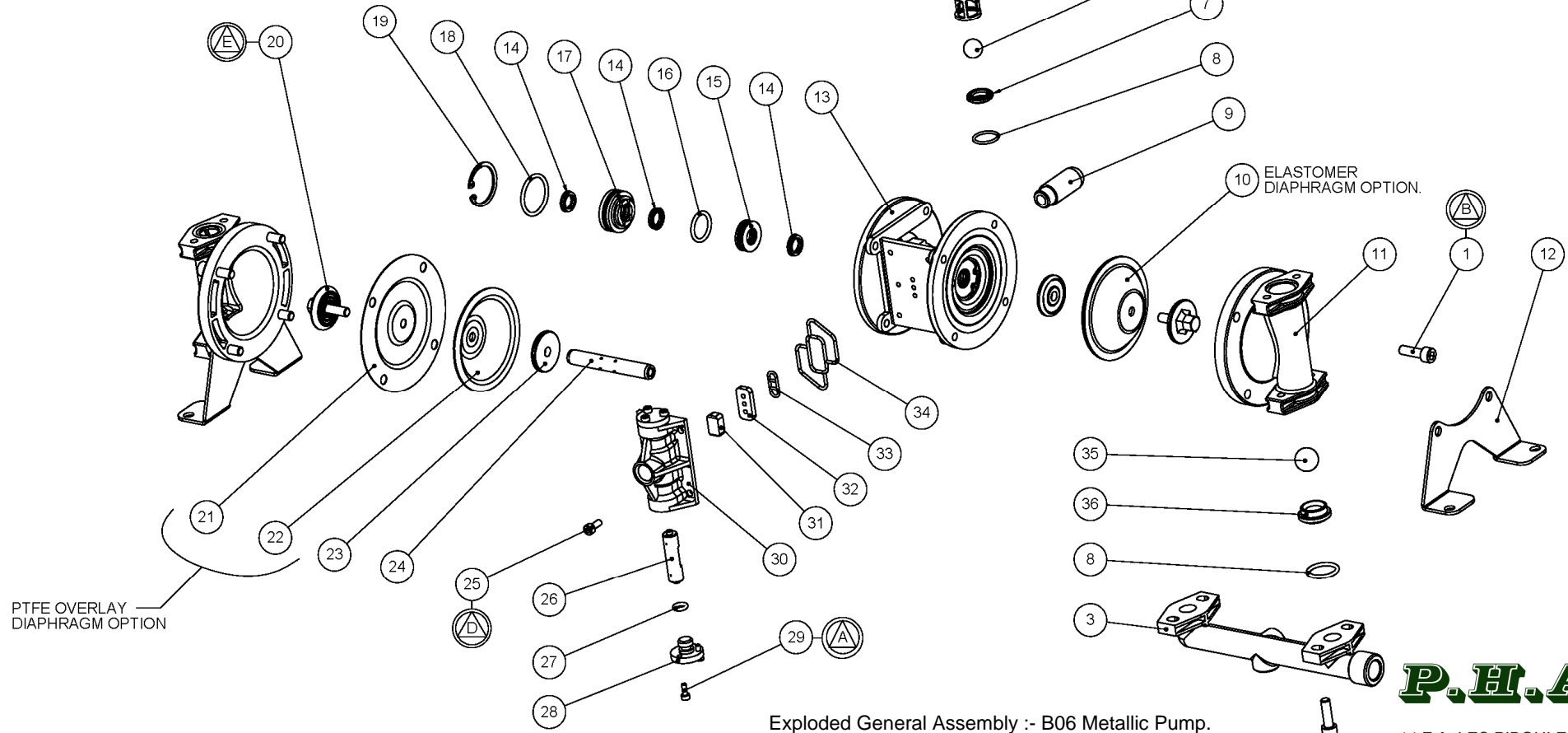
P.H.A. sas

14 Z.A. LES PIBOULES
84300 LES TAILLADES
FRANCE
TEL. 04.90.78.19.99
FAX 04.90.78.09.00
E-Mail : contact@pha.fr

Lip Seal Positions



TORQUE SETTINGS	
A	- 3 - 4 Nm (2 - 3 lbs/ft)
B	- 16 Nm (12 lbs/ft)
C	- 13 - 15 Nm (10 - 11 lbs/ft)
D	- 4 - 5 Nm (3 - 4 lbs/ft)
E	- 10 - 12 Nm (7.5 - 9 lbs/ft)



Exploded General Assembly :- B06 Metallic Pump.
Refer to page 10, Parts List table for item Ref. Nos.

P.H.A. sas

14 Z.A. LES PIBOULES
84300 LES TAILLADES
FRANCE
TEL. 04.90.78.19.99
FAX 04.90.78.09.00
E-Mail : contact@pha.fr